



## SYN-RMPD20 Serial PIN Photodiode Module

### Features

- ◎ High responsivity, Low return loss
- ◎ Low dark current, Low capacitance
- ◎ High Accuracy

### Applications

- ◎ Power Meter
- ◎ Analog Optical receiver
- ◎ Test Equipments



### Absolute Maximum Ratings

Parameter	Symbol	Ratings	Unit
Storage Temperature	Tstg	-40~+65	°C
Operating Temperature	Top	-30~+65	°C
Operating Voltage	Vop 5 V	5	V
PD Reverse Voltage	VR(PD)	25	V
Soldering Temperature	-	260	°C
Soldering Time	-	10	S

### Optica and Electrical Characteristics(Tc=25°C)

Parameter	Symbol	Min.	Typ.	Max.	Unit	Test Condition
Wavelength Range	$\lambda$	800	1550	1700	nm	-
Measure Range	P ( 0dBm)	-70	-	6	dBm	Vop=5V
	P (10dBm)	-60	-	16	dBm	
	P (20dBm)	-50	-	26	dBm	
	P (30dBm)	-40	-	36	dBm	
Dark Current	Id	-	2	20	nA	
Responsivity	R	0.9	0.95	-	A/W	$\lambda=1550\text{ nm}; V_r=0V$
Accuracy	-	-	-	$\pm 0.1$	dB	-
Capacitance	Ct	-	160	230	Pf	$V_r=-5V$
Response Time	Tr	-	-	10	ns	-
Bandwidth	fc	-	-	-	GHz	3dB

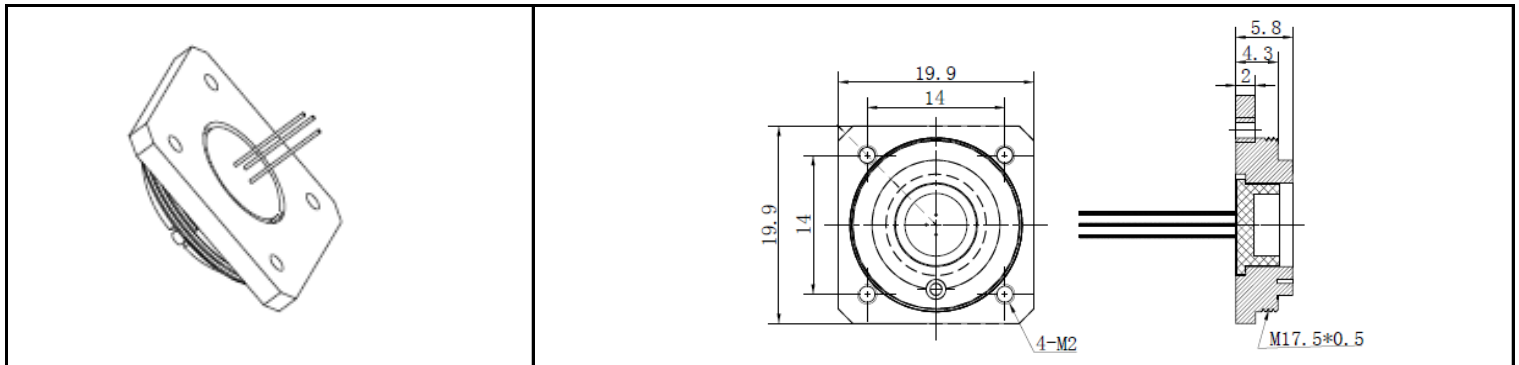


Order Information - Base

Band	Mode	Base Type	Photosensitive Surface	Measure Range	P/N
SYN-	RMPD20-B-	4 -	1000UM-	0dBm	SYN-RMPD20-B-4-1000UM-0dBm
				10dBm	SYN-RMPD20-B-4-1000UM-10dBm
				20dBm	SYN-RMPD20-B-4-1000UM-20dBm
				30dBm	SYN-RMPD20-B-4-1000UM-30dBm
SYN-	RMPD20-B-	4 -	2000UM-	0dBm	SYN-RMPD20-B-4-2000UM-0dBm
				10dBm	SYN-RMPD20-B-4-2000UM-10dBm
				20dBm	SYN-RMPD20-B-4-2000UM-20dBm
				30dBm	SYN-RMPD20-B-4-2000UM-30dBm
SYN-	RMPD20-B-	4 -	3000UM-	0dBm	SYN-RMPD20-B-4-3000UM-0dBm
				10dBm	SYN-RMPD20-B-4-3000UM-10dBm
				20dBm	SYN-RMPD20-B-4-3000UM-20dBm
				30dBm	SYN-RMPD20-B-4-3000UM-30dBm
SYN-	RMPD20-B-	2 -	1000UM-	0dBm	SYN-RMPD20-B-2-1000UM-0dBm
				10dBm	SYN-RMPD20-B-2-1000UM-10dBm
				20dBm	SYN-RMPD20-B-2-1000UM-20dBm
				30dBm	SYN-RMPD20-B-2-1000UM-30dBm
SYN-	RMPD20-B-	2 -	2000UM-	0dBm	SYN-RMPD20-B-2-2000UM-0dBm
				10dBm	SYN-RMPD20-B-2-2000UM-10dBm
				20dBm	SYN-RMPD20-B-2-2000UM-20dBm
				30dBm	SYN-RMPD20-B-2-2000UM-30dBm
SYN-	RMPD20-B-	2 -	3000UM-	0dBm	SYN-RMPD20-B-2-3000UM-0dBm
				10dBm	SYN-RMPD20-B-2-3000UM-10dBm
				20dBm	SYN-RMPD20-B-2-3000UM-20dBm
				30dBm	SYN-RMPD20-B-2-3000UM-30dBm
SYN-	RMPD20-B-	2 -	5000UM-	0dBm	SYN-RMPD20-B-2-5000UM-0dBm
				10dBm	SYN-RMPD20-B-2-5000UM-10dBm
				20dBm	SYN-RMPD20-B-2-5000UM-20dBm
				30dBm	SYN-RMPD20-B-2-5000UM-30dBm
SYN-	RMPD20-B-	S175		SYN-RMPD20-B-S175	

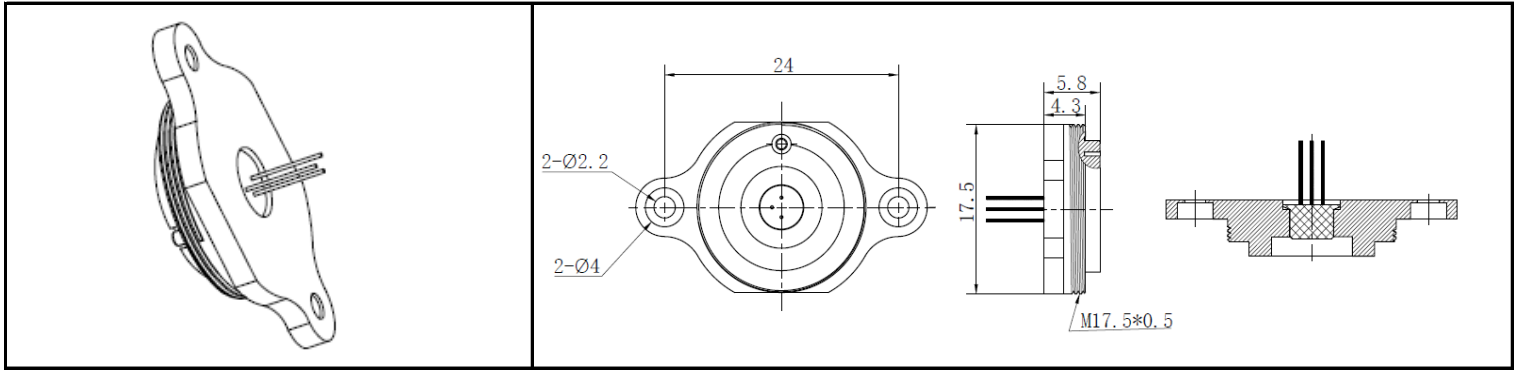
Drawing & Dimension - Base

P/N : SYN-RMPD20-B-4-XXX-XXX

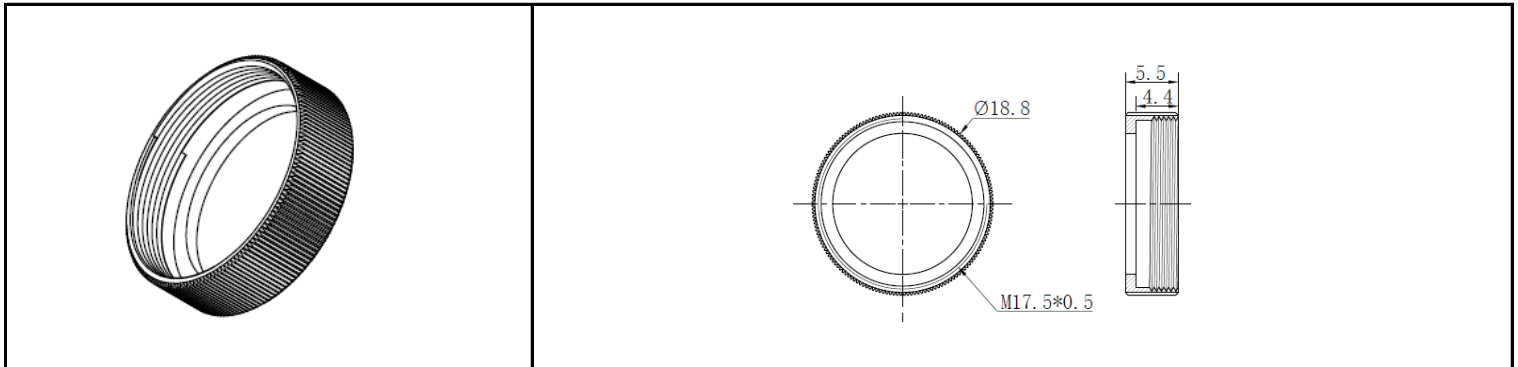




P/N : SYN-RMPD20-B-2-XXX-XXX



P/N : SYN-RMPD20-B-S175

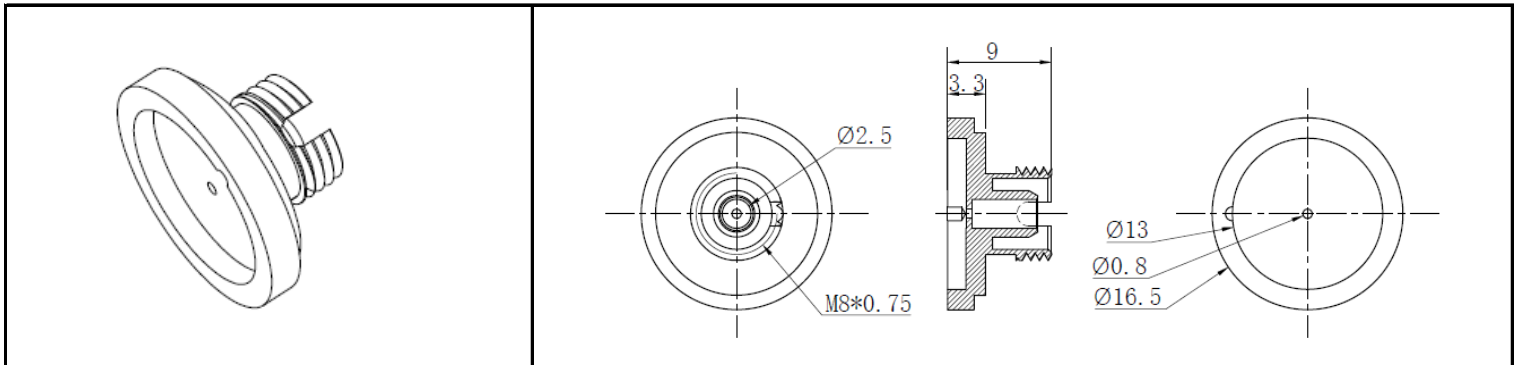


**Order Information - Adaptor**

Band	Mode	Adaptor Type	P/N
SYN-	RMPD20-P-	FC	SYN-RMPD20-P-FC
		SC	SYN-RMPD20-P-SC
		ST	SYN-RMPD20-P-ST
		LC	SYN-RMPD20-P-LC
		DIN	SYN-RMPD20-P-DIN
		SMA	SYN-RMPD20-P-SMA
		250U	SYN-RMPD20-P-250U
		125U	SYN-RMPD20-P-125U
		COM (FC & SC & ST)	SYN-RMPD20-P-COM
		ALL (All of Adapters)	SYN-RMPD20-P-ALL

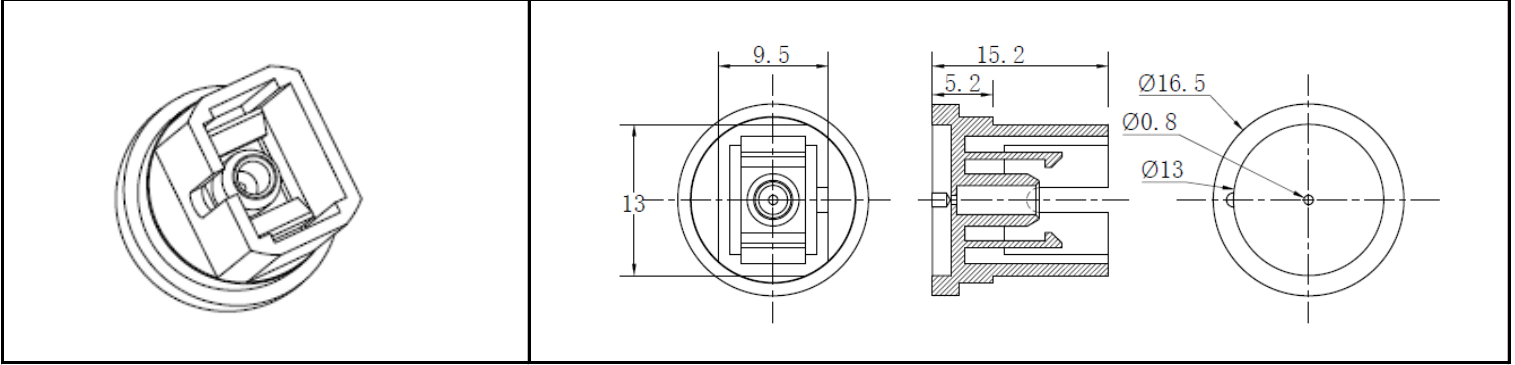
**Drawing & Dimension - Adaptor**

P/N : SYN-RMPD20-P-FC

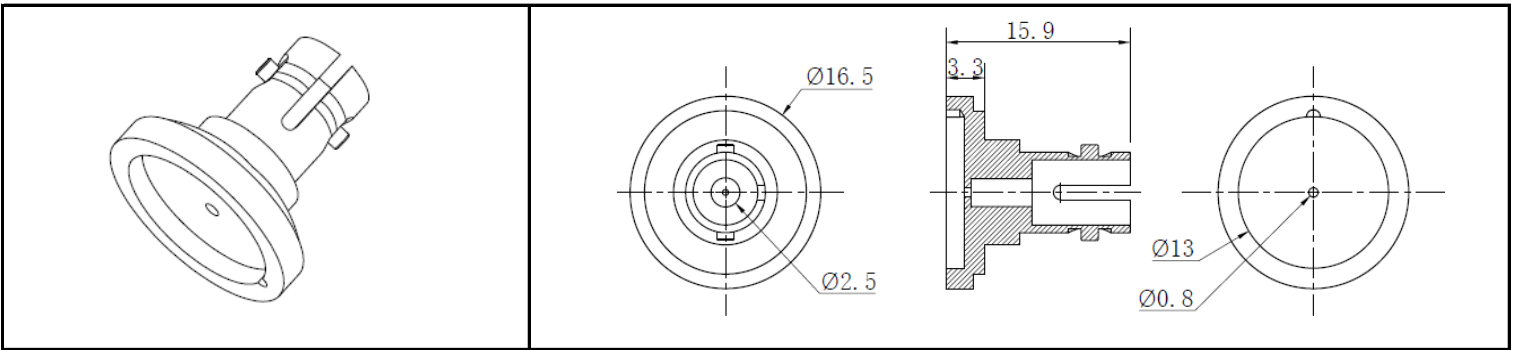




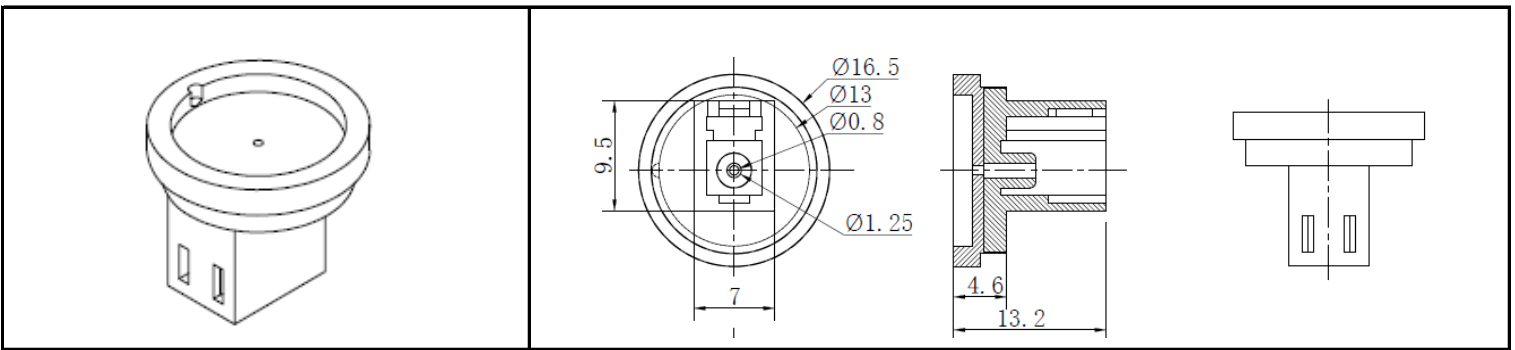
P/N : SYN-RMPD20-P-SC



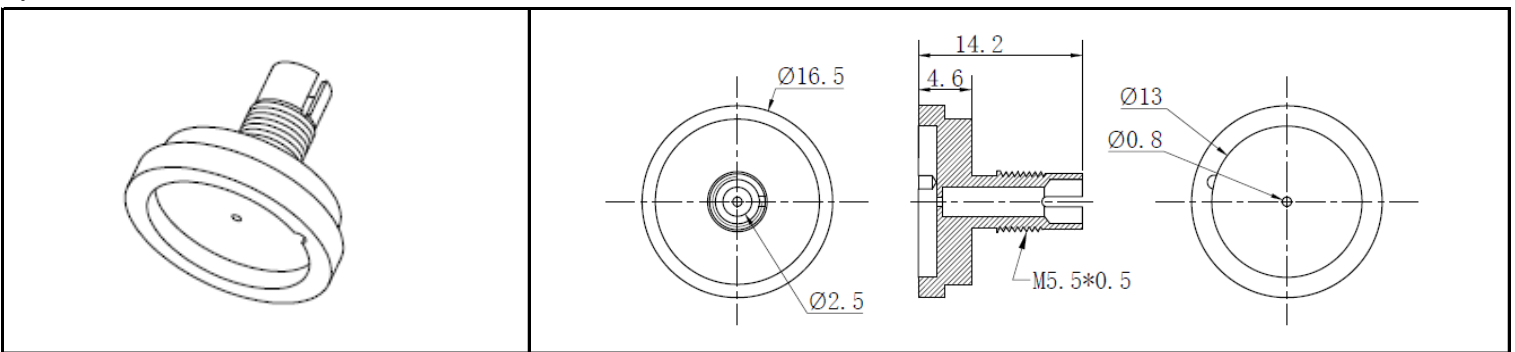
P/N : SYN-RMPD20-P-ST



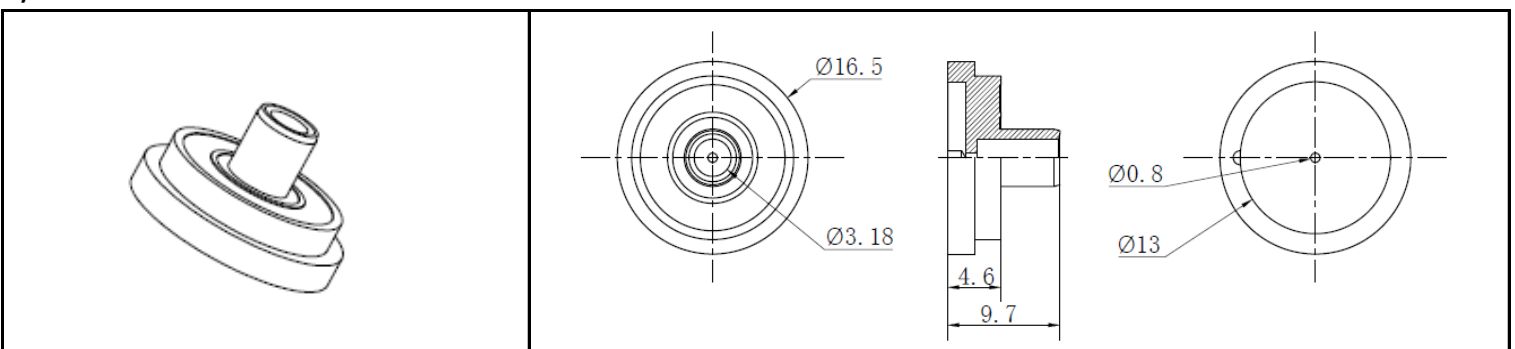
P/N : SYN-RMPD20-P-LC



P/N : SYN-RMPD20-P-DIN

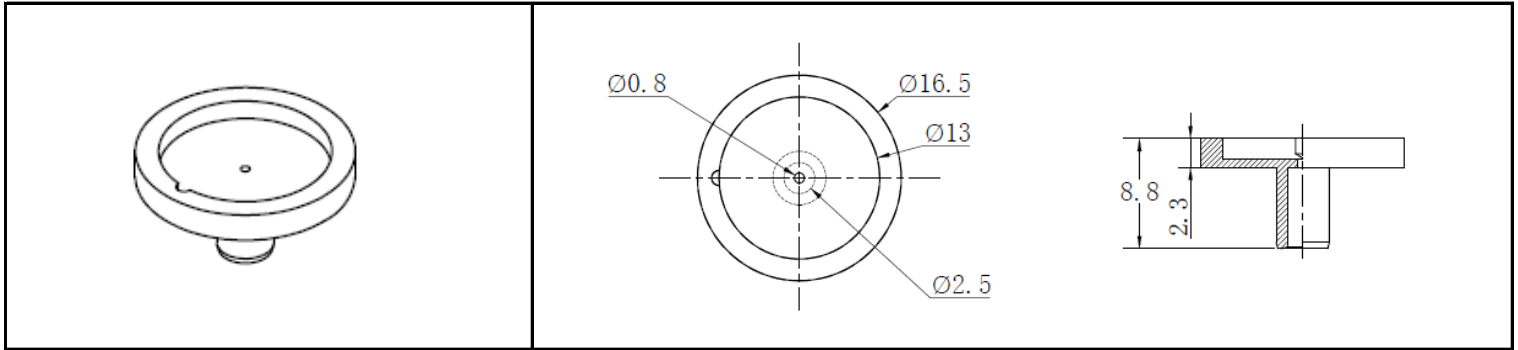


P/N : SYN-RMPD20-P-SMA

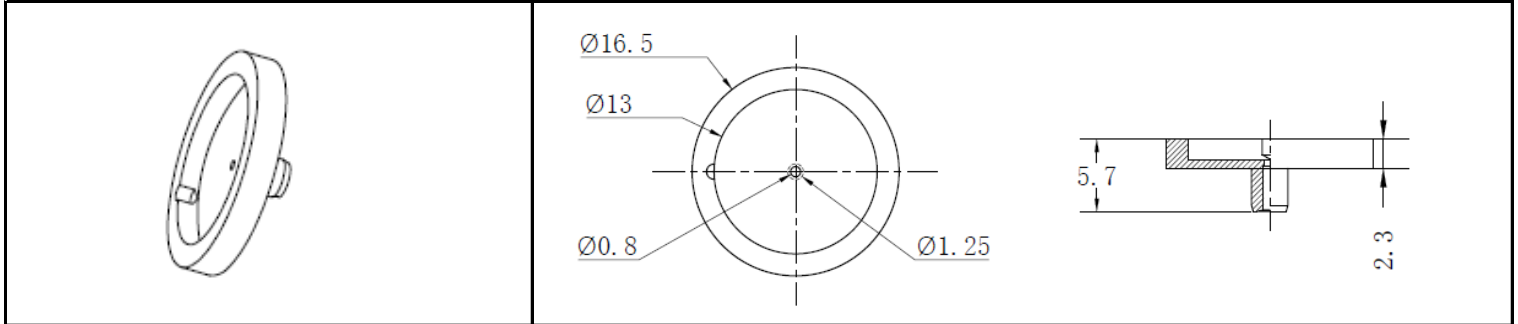




P/N : SYN-RMPD20-P-250U



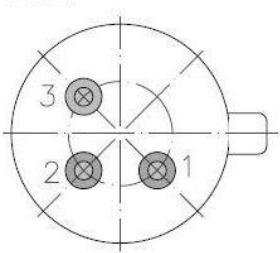
P/N : SYN-RMPD20-P-125U



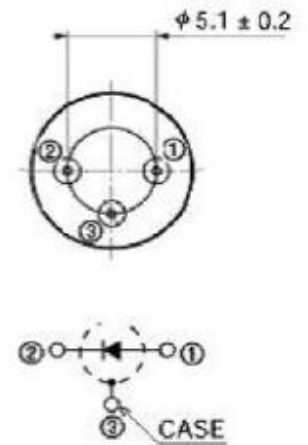
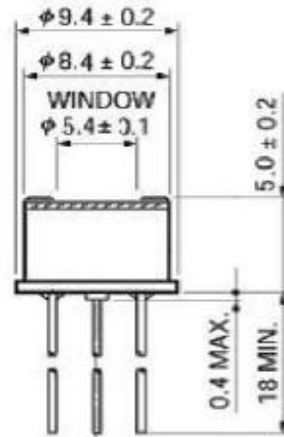
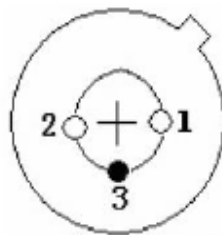
Pin Assignment

1000um of Pin Assignment

2000um ~ 5000um of Pin Assignemtn



Type A:  
【1】 PD +  
【2】 PD -  
【3】 CASE



Semiconductor lasers and detectors are Static sensitive components are vulnerable to Electrostatic discharge (ESD)and surge over Current (EOS) damage! Please contact with Static sensitive

