



SYN-RMPD18 Serial PIN Photodiode Module

Features

- ⊙ High responsivity, Low return loss
- ⊙ Low dark current, Low capacitance
- ⊙ High Accuracy

Applications

- ⊙ Power Meter
- ⊙ Analog Optical receiver
- ⊙ Test Equipments



Absolute Maximum Ratings

Parameter	Symbol	Ratings	Unit
Storage Temperature	Tstg	-40~+65	°C
Operating Temperature	Top	-30~+65	°C
Operating Voltage	Vop 5 V	5	V
PD Reverse Voltage	VR(PD)	25	V
Soldering Temperature	-	260	°C
Soldering Time	-	10	S

Optica and Electrical Characteristics(Tc=25°C)

Parameter	Symbol	Min.	Typ.	Max.	Unit	Test Condition
Wavelength Range	λ	800	1550	1700	nm	-
Measure Range	P (0dBm)	-70	-	6	dBm	Vop=5V
	P (10dBm)	-60	-	16	dBm	
	P (20dBm)	-50	-	26	dBm	
	P (30dBm)	-40	-	36	dBm	
Dark Current	Id	-	2	20	nA	
Responsivity	R	0.9	0.95	-	A/W	$\lambda=1550$ nm; Vr=0V
Accuracy	-	-	-	±0.1	dB	-
Capacitance	Ct	-	160	230	Pf	Vr=-5V
Response Time	Tr	-	-	10	ns	-
Bandwidth	fc	-	-	-	GHz	3dB

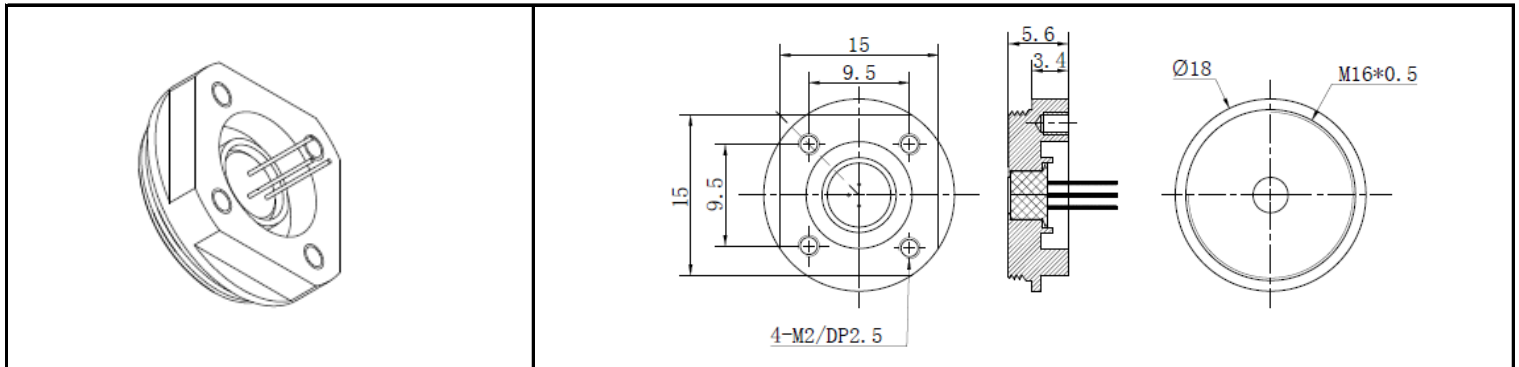


Order Information - Base

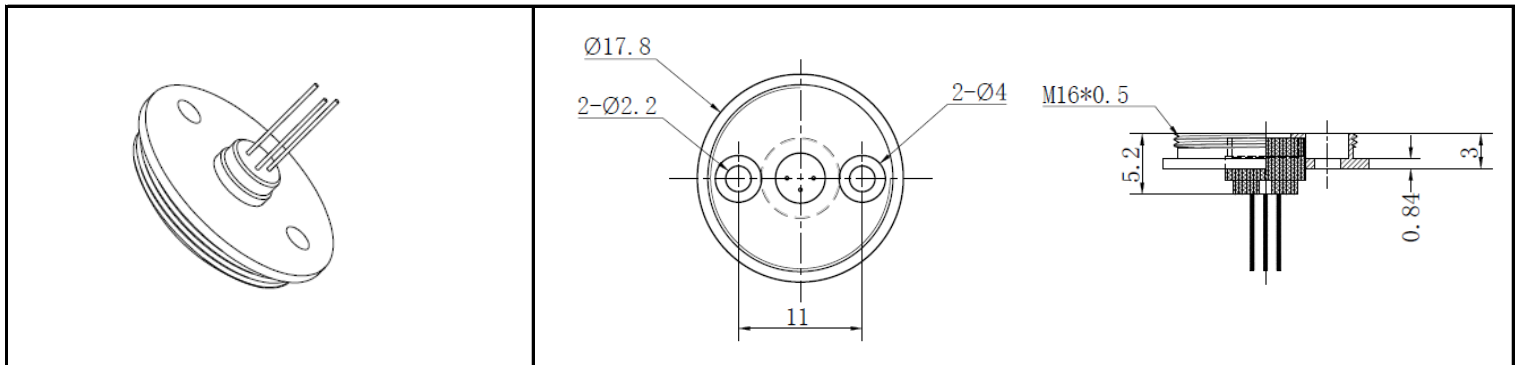
Band	Mode	Base Type	Photosensitive Surface	Measure Range	P/N
SYN-	RMPD18-B-	4 -	1000UM-	0dBm	SYN-RMPD18-B-4-1000UM-0dBm
				10dBm	SYN-RMPD18-B-4-1000UM-10dBm
				20dBm	SYN-RMPD18-B-4-1000UM-20dBm
				30dBm	SYN-RMPD18-B-4-1000UM-30dBm
SYN-	RMPD18-B-	4 -	2000UM-	0dBm	SYN-RMPD18-B-4-2000UM-0dBm
				10dBm	SYN-RMPD18-B-4-2000UM-10dBm
				20dBm	SYN-RMPD18-B-4-2000UM-20dBm
				30dBm	SYN-RMPD18-B-4-2000UM-30dBm
SYN-	RMPD18-B-	2 -	1000UM-	0dBm	SYN-RMPD18-B-2-1000UM-0dBm
				10dBm	SYN-RMPD18-B-2-1000UM-10dBm
				20dBm	SYN-RMPD18-B-2-1000UM-20dBm
				30dBm	SYN-RMPD18-B-2-1000UM-30dBm
SYN-	RMPD18-B-	2 -	1500UM-	0dBm	SYN-RMPD18-B-2-1500UM-0dBm
				10dBm	SYN-RMPD18-B-2-1500UM-10dBm
				20dBm	SYN-RMPD18-B-2-1500UM-20dBm
				30dBm	SYN-RMPD18-B-2-1500UM-30dBm

Drawing & Dimension - Base

P/N : SYN-RMPD18-4-XXX-XXX



P/N : SYN-RMPD18-2-XXX-XXX



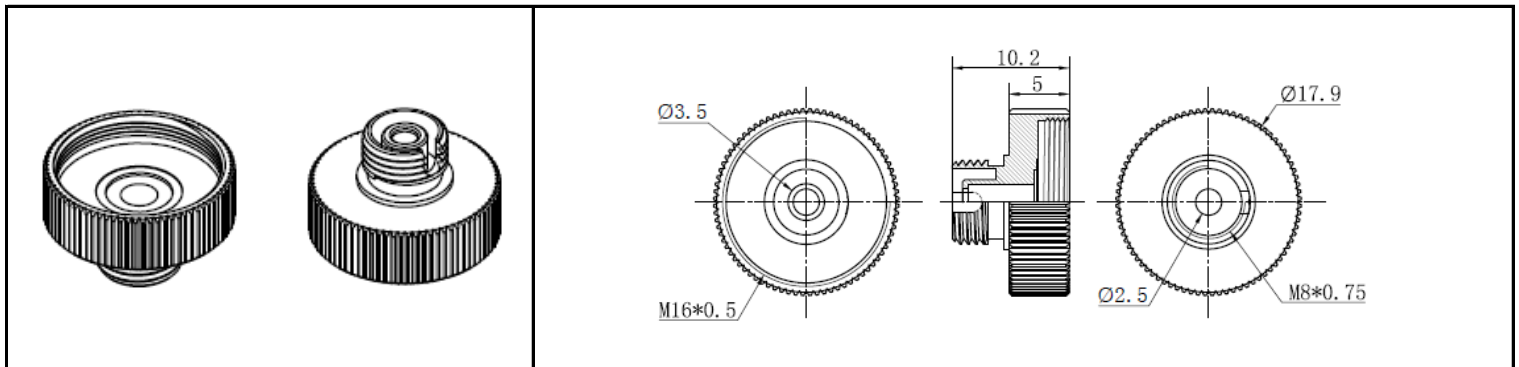


Order Information - Adaptor

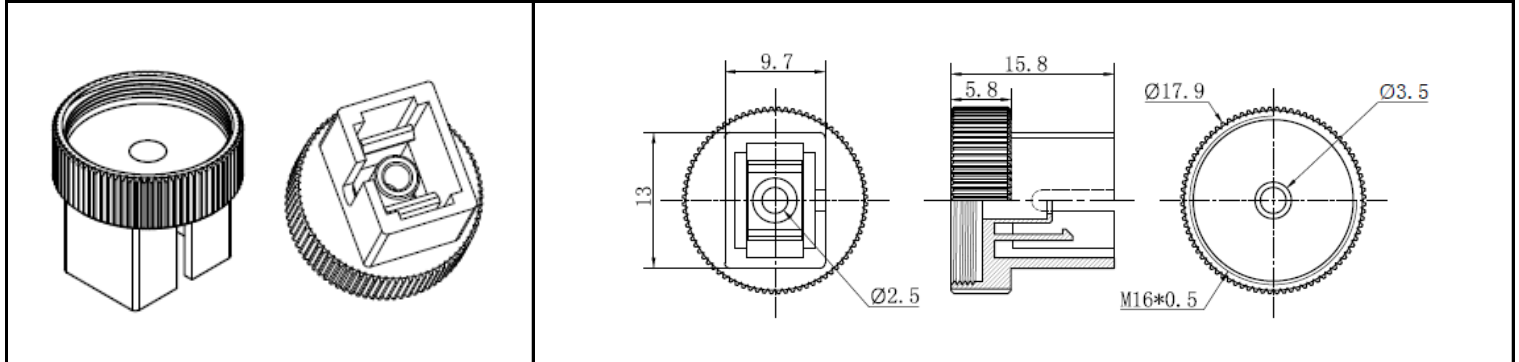
Band	Mode	Adaptor Type	P/N
SYN-	RMPD18-P-	FC	SYN-RMPD18-P-FC
		SC	SYN-RMPD18-P-SC
		ST	SYN-RMPD18-P-ST
		LC	SYN-RMPD18-P-LC
		DIN	SYN-RMPD18-P-DIN
		SMA	SYN-RMPD18-P-SMA
		MU	SYN-RMPD18-P-MU
		250U	SYN-RMPD18-P-250U
		125U	SYN-RMPD18-P-125U
		COM (FC & SC & ST)	SYN-RMPD18-P-COM
		ALL (All of Adaptors)	SYN-RMPD18-P-ALL

Drawing & Dimension - Adaptor

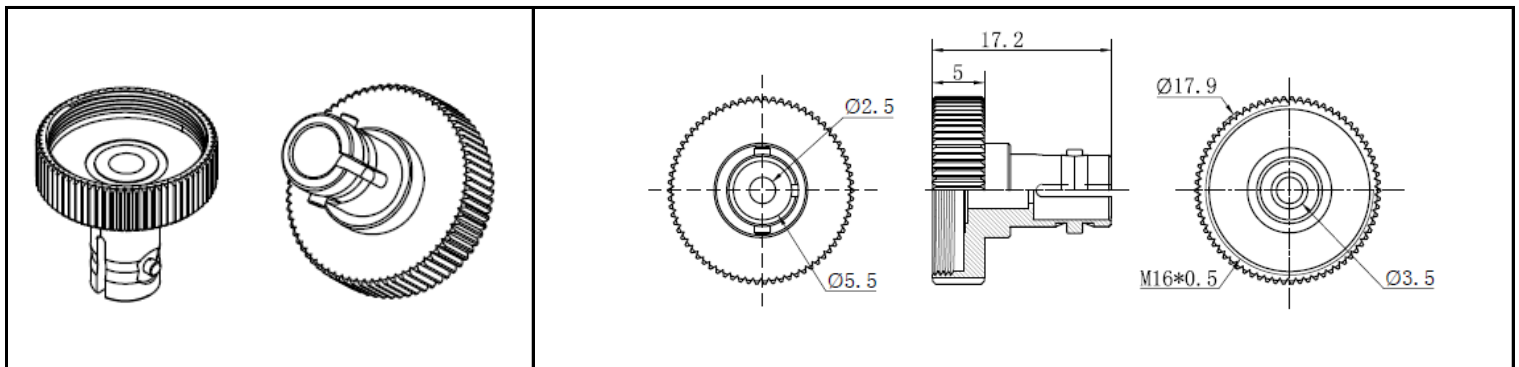
P/N : SYN-RMPD18-P-FC



P/N : SYN-RMPD18-P-SC

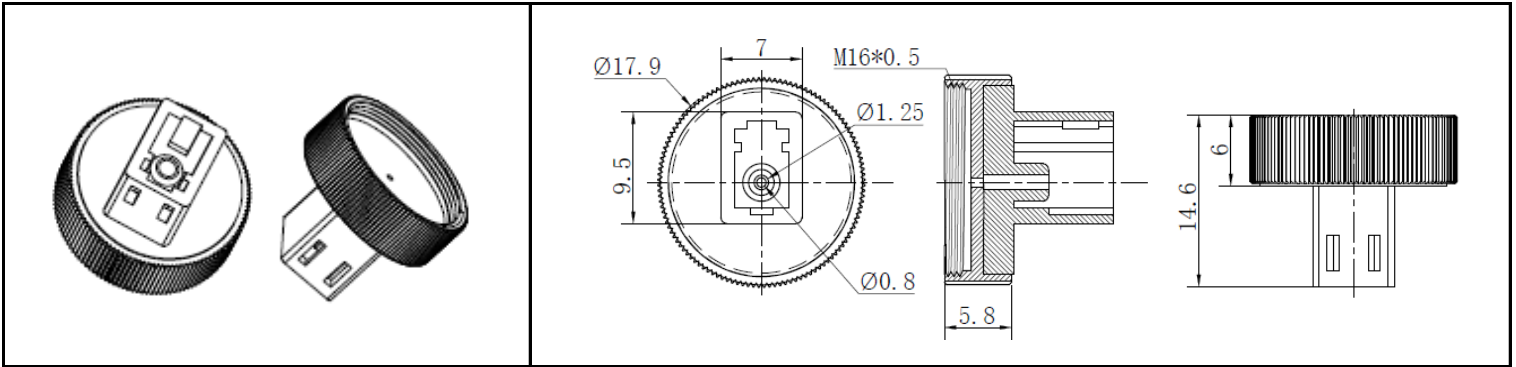


P/N : SYN-RMPD18-P-ST

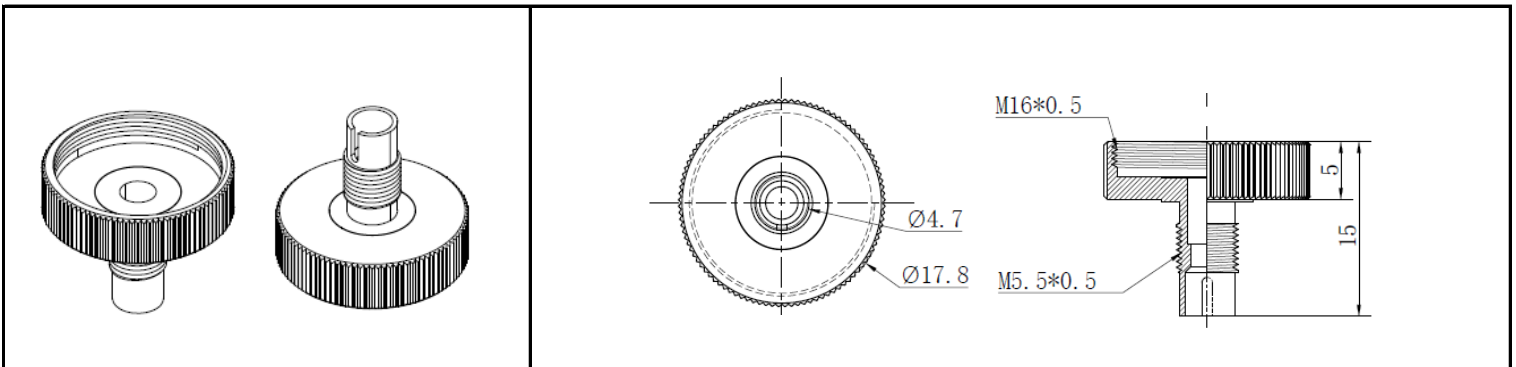




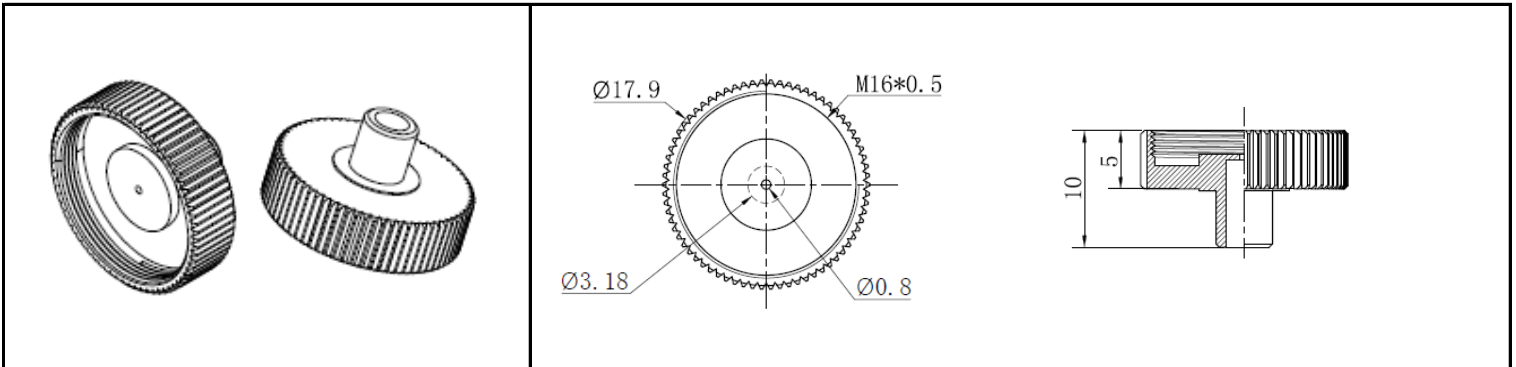
P/N : SYN-RMPD18-P-LC



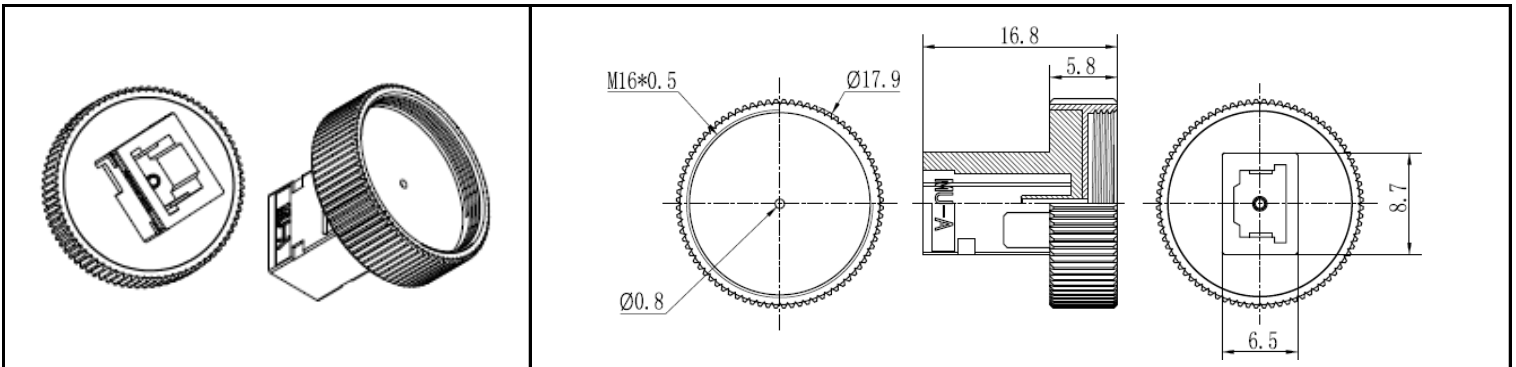
P/N : SYN-RMPD18-P-DIN



P/N : SYN-RMPD18-P-SMA

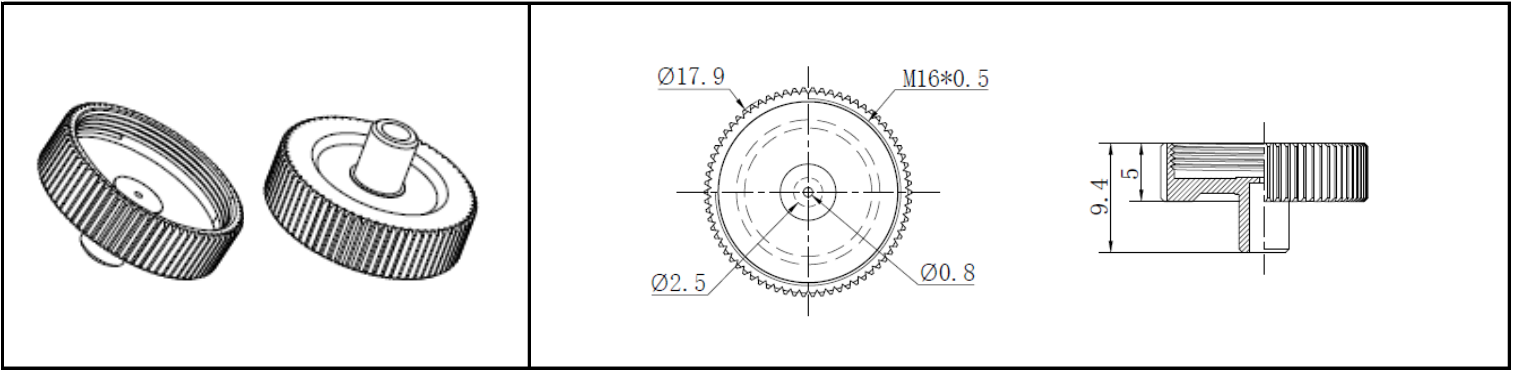


P/N : SYN-RMPD18-P-MU

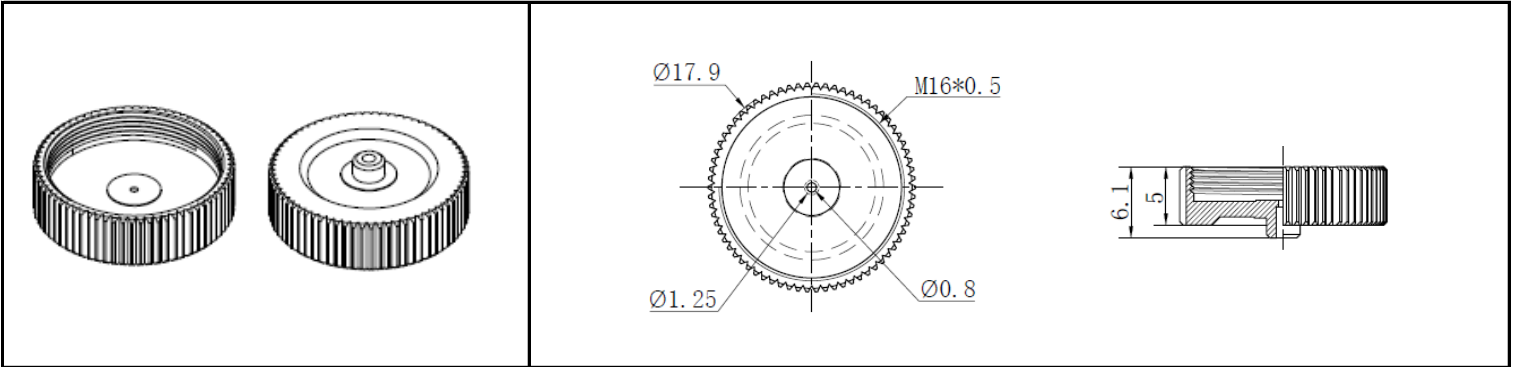




P/N : SYN-RMPD18-P-250U



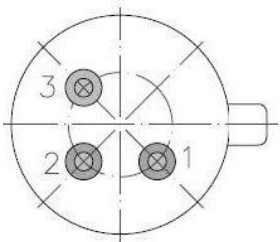
P/N : SYN-RMPD20-P-125U



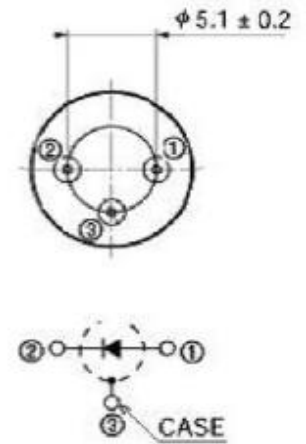
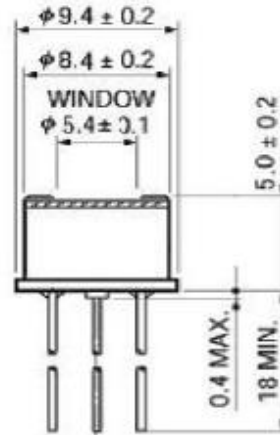
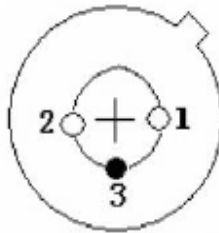
Pin Assignment

1000um & 1500um of Pin Assignment

2000um of Pin Assignment



Type A:
 【1】 PD +
 【2】 PD -
 【3】 CASE



Semiconductor lasers and detectors are Static sensitive components are vulnerable to Electrostatic discharge (ESD) and surge over Current (EOS) damage! Please contact with Static sensitive

