



SYN-RMPD15-300um PIN Photodiode Module

Features

- ⊙ High responsivity, Low return loss
- ⊙ Low dark current, Low capacitance
- ⊙ High Accuracy

Applications

- ⊙ Power Meter
- ⊙ Analog Optical receiver
- ⊙ Test Equipments



Absolute Maximum Ratings

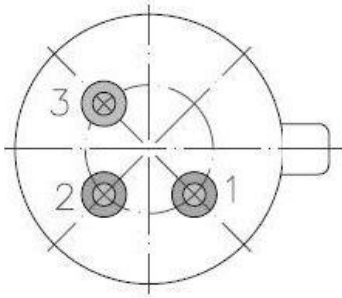
Parameter	Symbol	Ratings	Unit
Storage Temperature	Tstg	-40~+100	°C
Operating Temperature	Top	-40~+85	°C
Operating Voltage	Vop 5 V	5	V
PD Reverse Voltage	VR(PD)	25	V
Soldering Temperature	-	260	°C
Soldering Time	-	10	S

Optical and Electrical Characteristics(Tc=25°C)

Parameter	Symbol	Min.	Typ.	Max.	Unit	Test Condition
Wavelength Range	λ	900	-	1700	nm	-
Measure Range	P (0dBm)	-70	-	6	dBm	Vop=5V
	P (10dBm)	-60	-	16	dBm	
	P (20dBm)	-50	-	26	dBm	
	P (30dBm)	-40	-	36	dBm	
Dark Current	Id	-	-	2	nA	
Responsivity	R		0.85	-	A/W	$\lambda=1310$ nm
Accuracy	-	-	-	± 0.1	dB	-
Capacitance	Ct	-	-	25	Pf	-
Response Time	Tr	-	-	10	ns	-



Pin Assignment



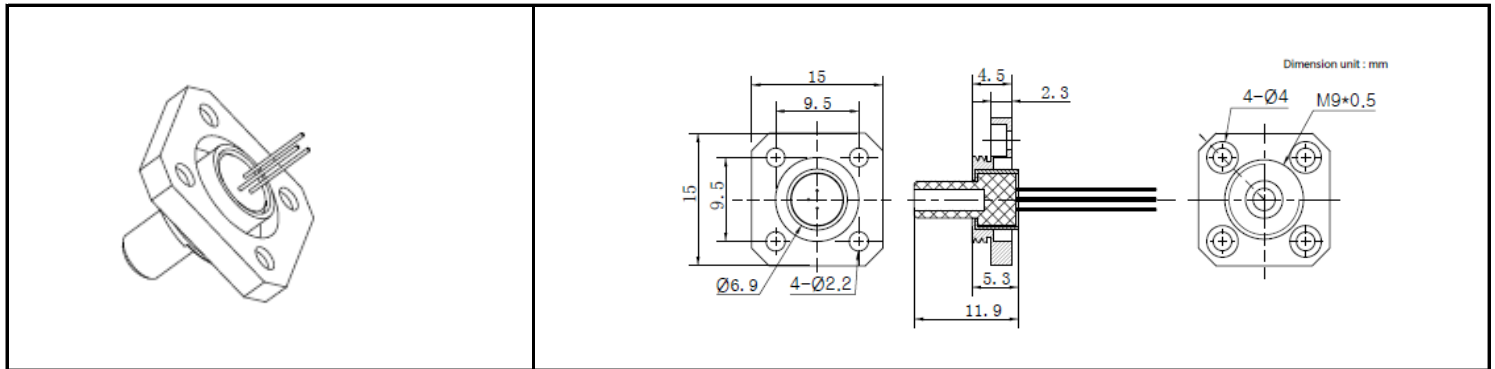
Type A:
【1】 PD +
【2】 PD -
【3】 CASE

Order Information - Base

Band	Mode	Base Type	Photosensitive	Measure Range	P/N
SYN-	RMPD15-B-	4 -	300UM-	0dBm	SYN-RMPD15-B-4-300UM-0dBm
				10dBm	SYN-RMPD15-B-4-300UM-10dBm
				20dBm	SYN-RMPD15-B-4-300UM-20dBm
				30dBm	SYN-RMPD15-B-4-300UM-30dBm

Drawing & Dimension - Base

PN: SYN-RMPD-B-4-300UM-XXX



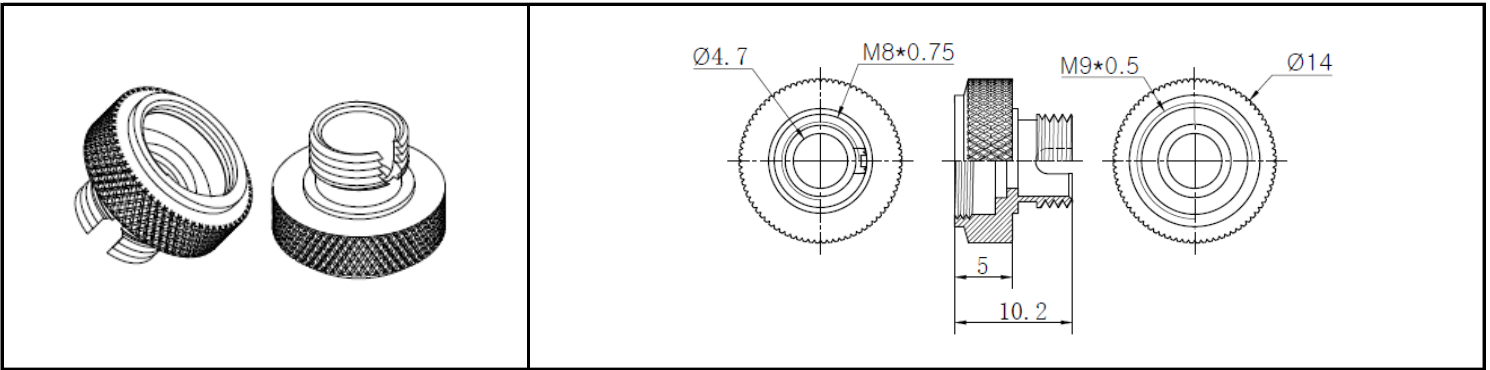
Order Information - Adaptor

Band	Mode	Adaptor Type	P/N
SYN-	RMPDVFL15-P-	FC	SYN-RMPDVFL15-P-FC
		SC	SYN-RMPDVFL15-P-SC
		ST	SYN-RMPDVFL15-P-ST
		DIN	SYN-RMPDVFL15-P-DIN
		COM (FC & SC & ST)	SYN-RMPDVFL15-P-COM
		ALL (FC & SC & ST & DIN)	SYN-RMPDVFL15-P-ALL

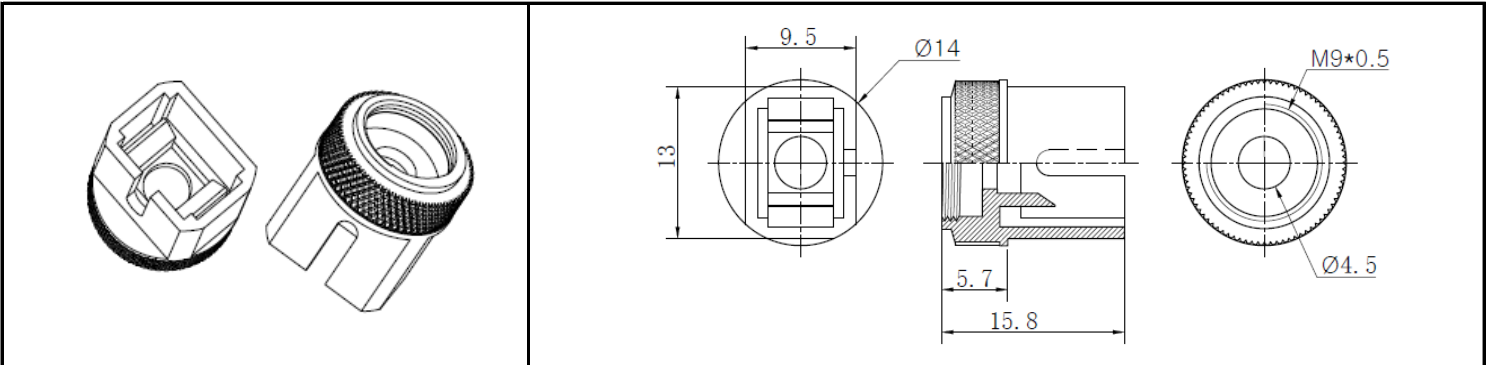


Drawing & Dimensions - Adaptor

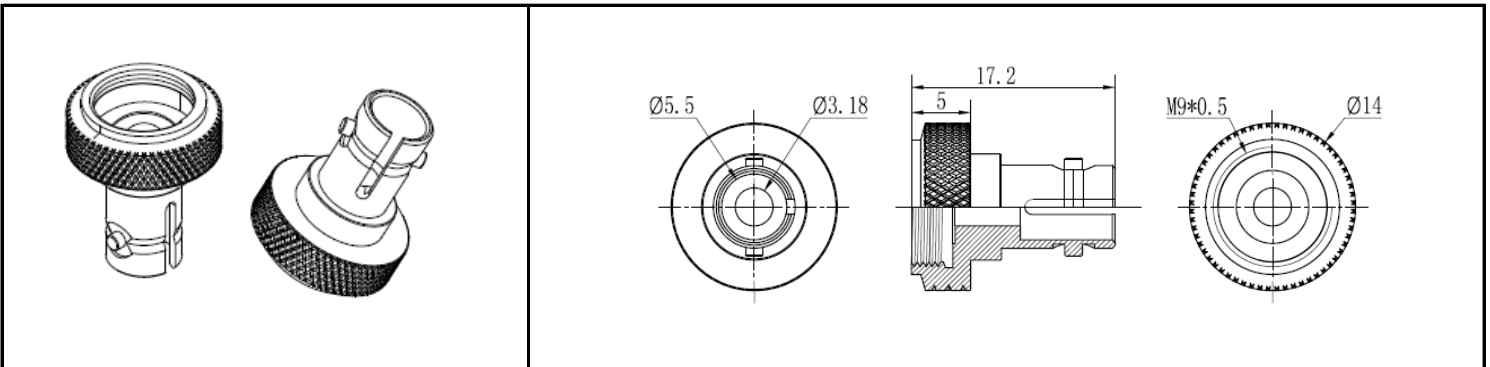
PN: SYN-RMPDVFL5-P-FC



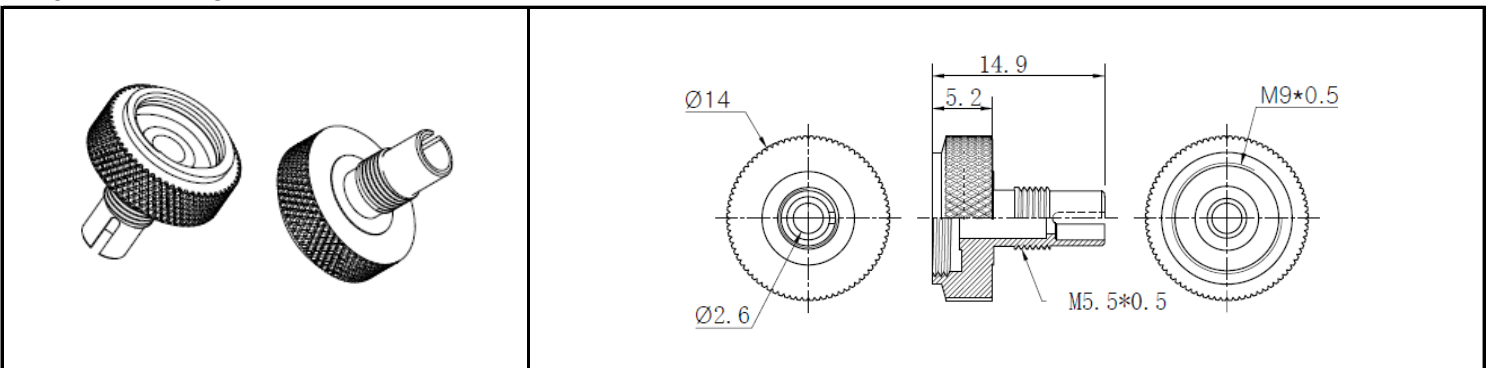
PN: SYN-RMPDVFL5-P-SC



PN: SYN-RMPDVFL5-P-ST



PN: SYN-RMPDVFL5-P-DIN



Semiconductor lasers and detectors are Static sensitive components are vulnerable to Electrostatic discharge (ESD) and surge over Current (EOS) damage! Please contact with Static sensitive

