



## SYN-RMPD15 Serial InGaAs PIN Photodiode Module

### Features

- ⊙ High responsivity, Low return loss
- ⊙ Low dark current, Low capacitance
- ⊙ High Accuracy

### Applications

- ⊙ Power Meter
- ⊙ Analog Optical receiver
- ⊙ Test Equipments



### Absolute Maximum Ratings

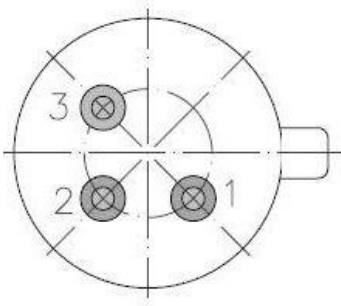
Parameter	Symbol	Ratings	Unit
Storage Temperature	Tstg	-40~+85	°C
Operating Temperature	Top	-30~+65	°C
Operating Voltage	Vop	5	V
PD Reverse Voltage	VR(PD)	20	V
Soldering Temperature	-	260	°C
Soldering Time	-	10	S

### Optical and Electrical Characteristics(Tc=25°C)

Parameter	Symbol	Min.	Typ.	Max.	Unit	Test Condition
Wavelength Range	$\lambda$	800	1550	1700	nm	-
Measure Range	P ( 0dBm)	-70	-	6	dBm	Vop=5V
	P (10dBm)	-60	-	16	dBm	
	P (20dBm)	-50	-	26	dBm	
	P (30dBm)	-40	-	36	dBm	
Dark Current	Id	-	1	10	nA	Vr=5V
Responsivity	R	0.95	1	-	A/W	$\lambda=1550$ nm
Capacitance	C	-	5	10	Pf	Vr=-5V
Response Time	Tr	-	-	10	ns	-



Pin Assignment



Type A:  
**【1】** PD +  
**【2】** PD -  
**【3】** CASE

Spectral response

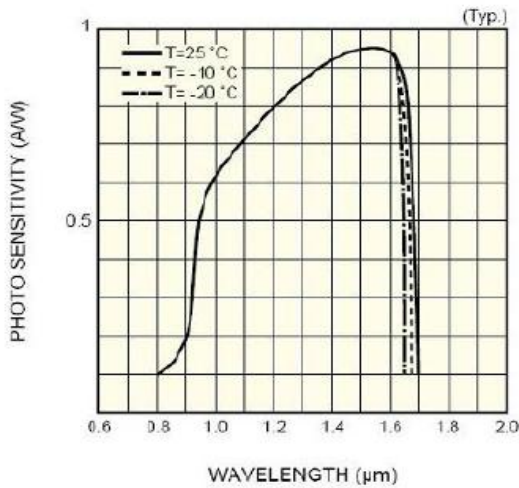
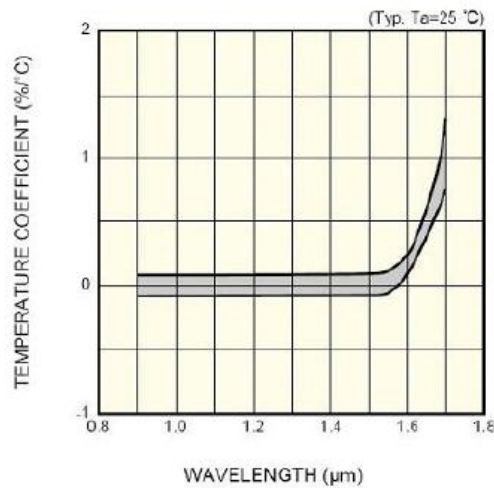


Photo sensitivity temperature characteristic



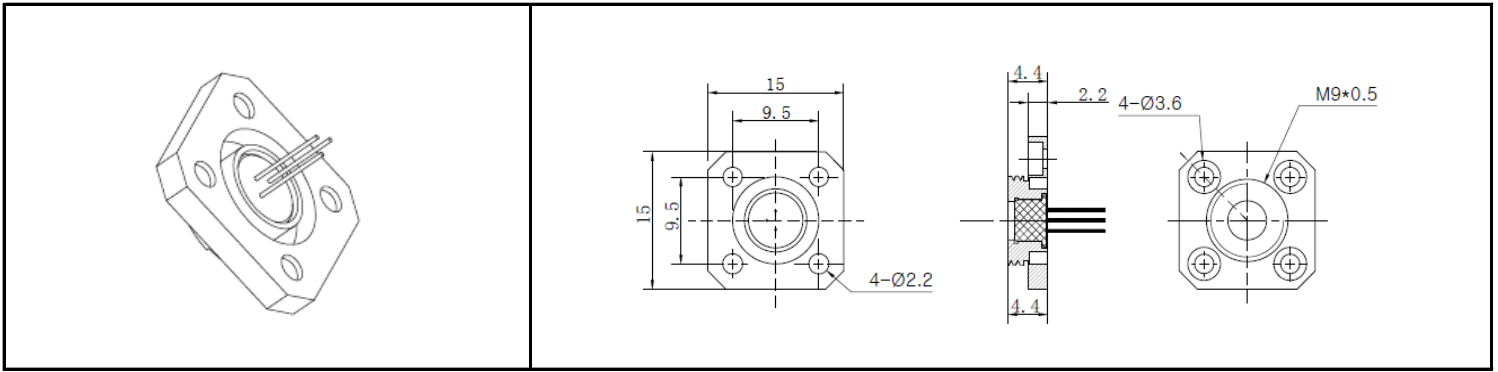
Order Information - Base

Band	Mode	Base Type	Photosensitive Surface	Measure Range	P/N
SYN-	RMPD15-B	4 -	500UM-	0dBm	SYN-RMPD15-B-4-500UM-0dBm
				10dBm	SYN-RMPD15-B-4-500UM-10dBm
				20dBm	SYN-RMPD15-B-4-500UM-20dBm
				30dBm	SYN-RMPD15-B-4-500UM-30dBm
SYN-	RMPD15-B	4 -	1000UM-	0dBm	SYN-RMPD15-B-4-1000UM-0dBm
				10dBm	SYN-RMPD15-B-4-1000UM-10dBm
				20dBm	SYN-RMPD15-B-4-1000UM-20dBm
				30dBm	SYN-RMPD15-B-4-1000UM-30dBm
SYN-	RMPD15-B	4 -	1500UM-	0dBm	SYN-RMPD15-B-4-1500UM-0dBm
				10dBm	SYN-RMPD15-B-4-1500UM-10dBm
				20dBm	SYN-RMPD15-B-4-1500UM-20dBm
				30dBm	SYN-RMPD15-B-4-1500UM-30dBm



**Drawing & Dimension**

P/N : SYN-RMPD-15-B-XXX-XXX

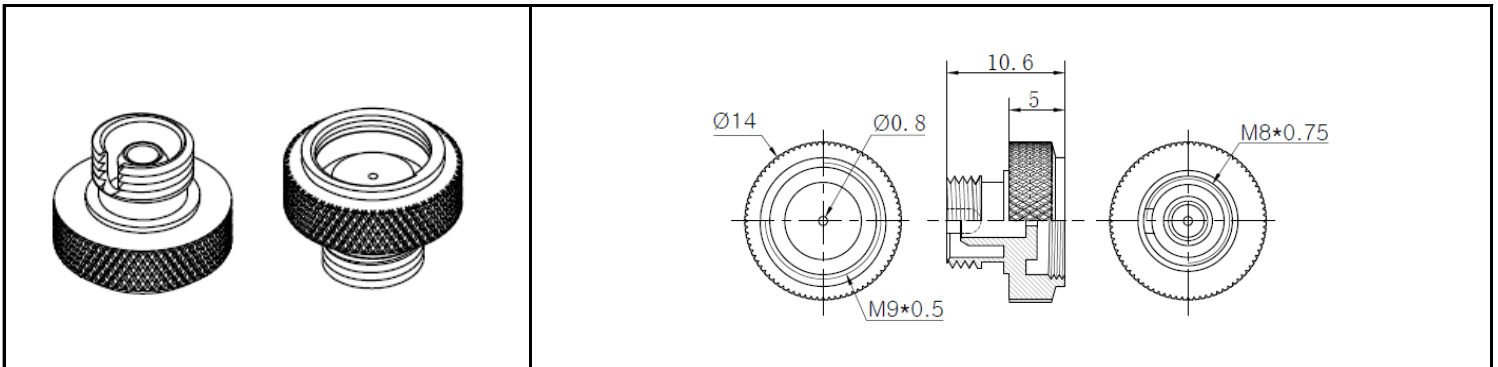


**Order Information - Adapters**

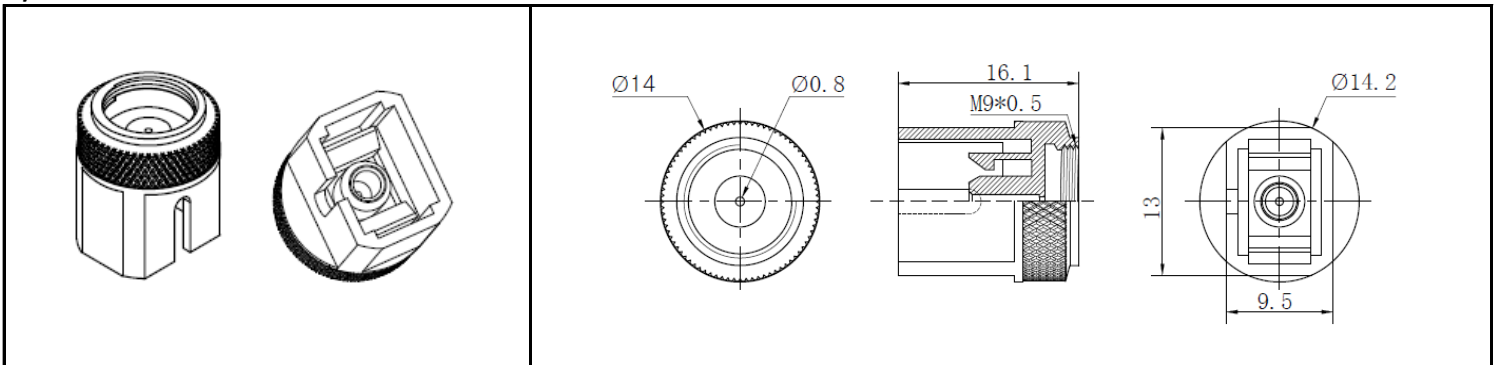
Band	Mode	Adaptor Type	P/N
SYN-	RMPD15-P-	FC	SYN-RMPD15-P-FC
		SC	SYN-RMPD15-P-SC
		ST	SYN-RMPD15-P-ST
		LC	SYN-RMPD15-P-LC
		DIN	SYN-RMPD15-P-DIN
		250U	SYN-RMPD15-P-250U
		125U	SYN-RMPD15-P-125U
		SMA	SYN-RMPD15-P-SMA
		MU	SYN-RMPD15-P-MU
		COM (FC & SC & ST)	SYN-RMPD15-P-COM
		ALL (All of Adaptors)	SYN-RMPD15-P-ALL

**Drawing & Dimension - Adapters**

P/N: SYN-RMPD15-P-FC

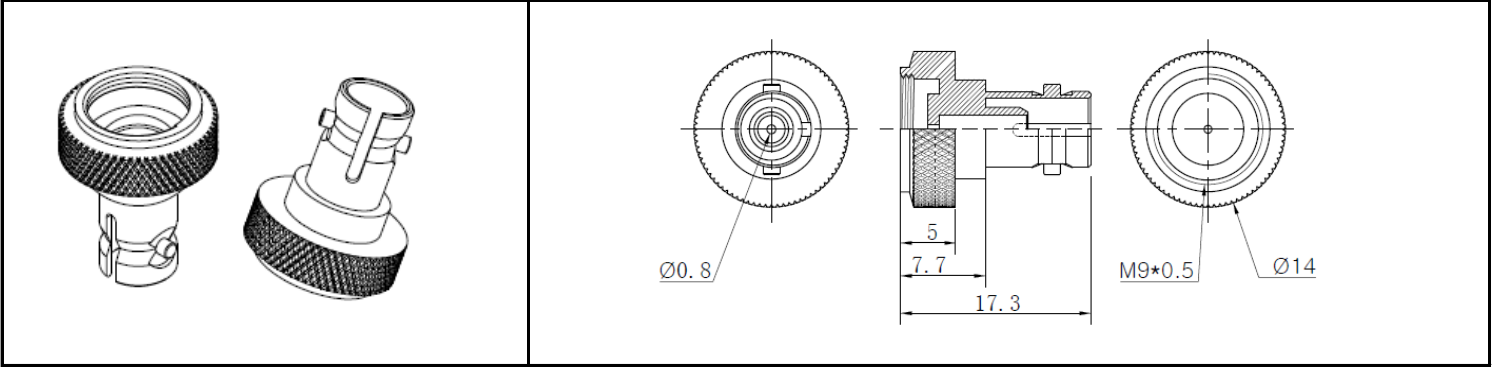


P/N: SYN-RMPD15-P-SC

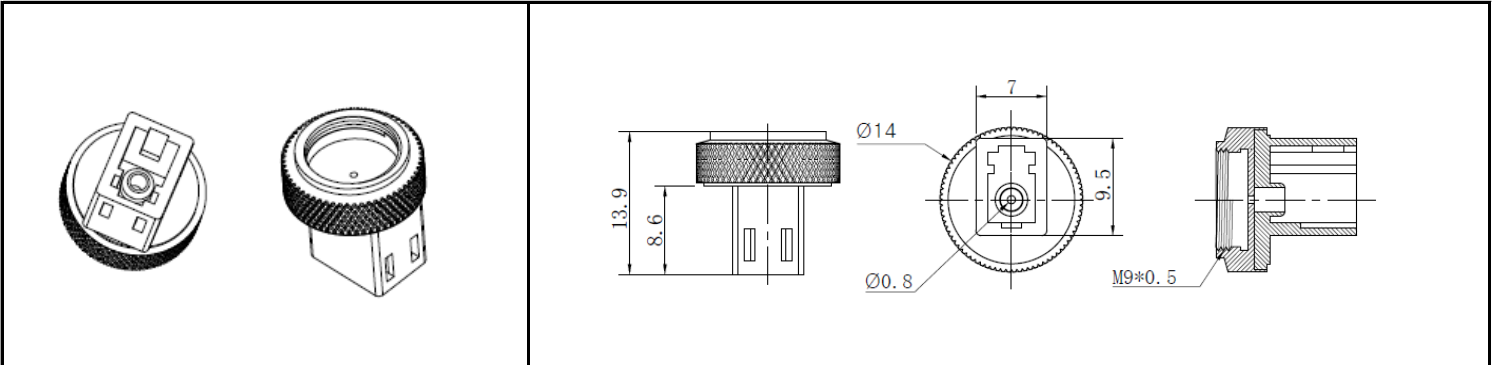




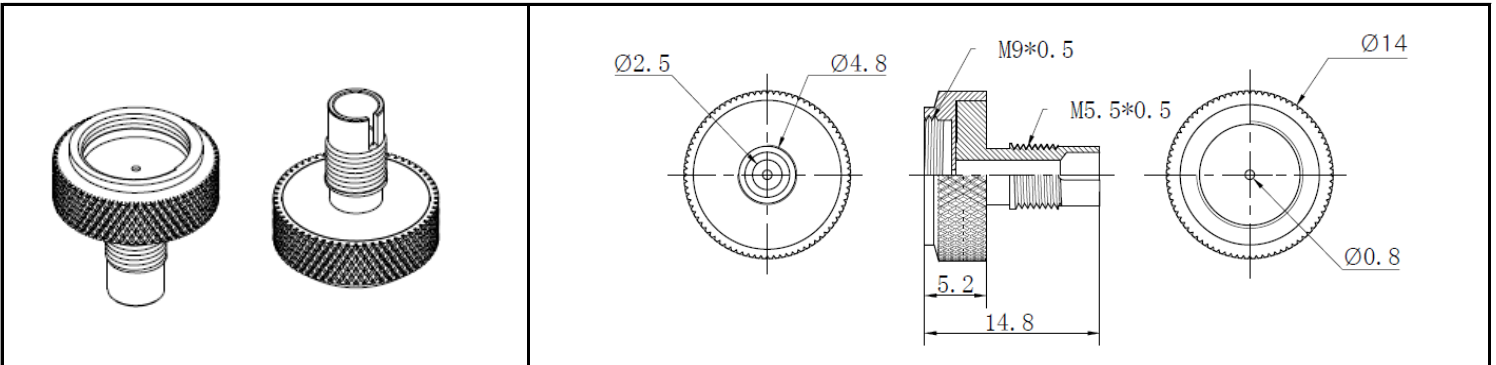
P/N: SYN-RMPD15-P-ST



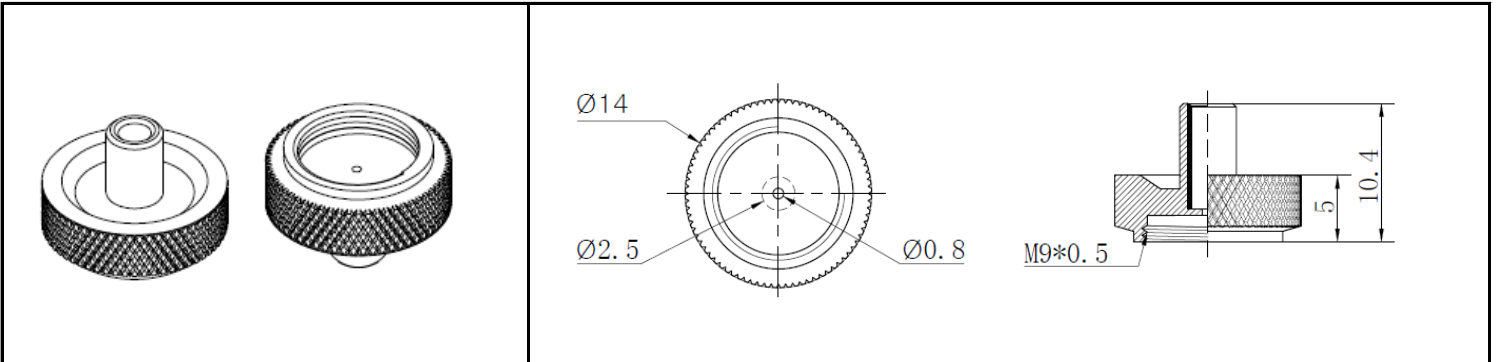
P/N: SYN-RMPD15-P-LC



P/N: SYN-RMPD15-P-DIN

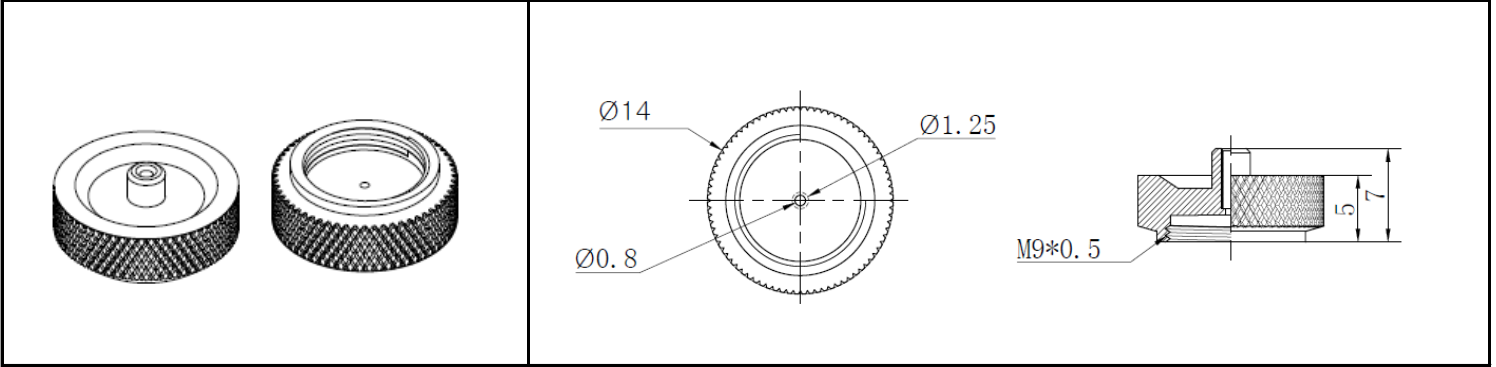


P/N: SYN-RMPD15-P-250U

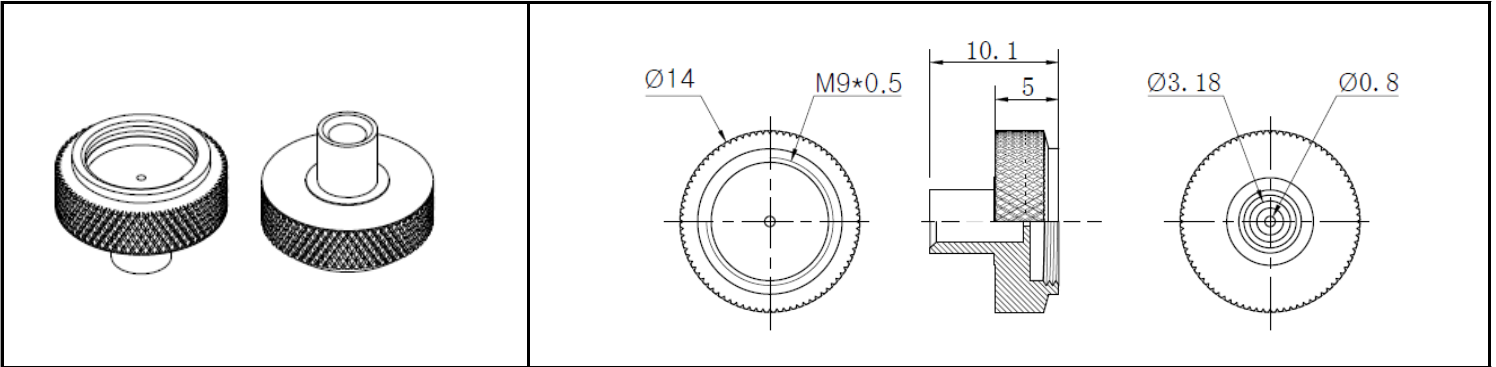




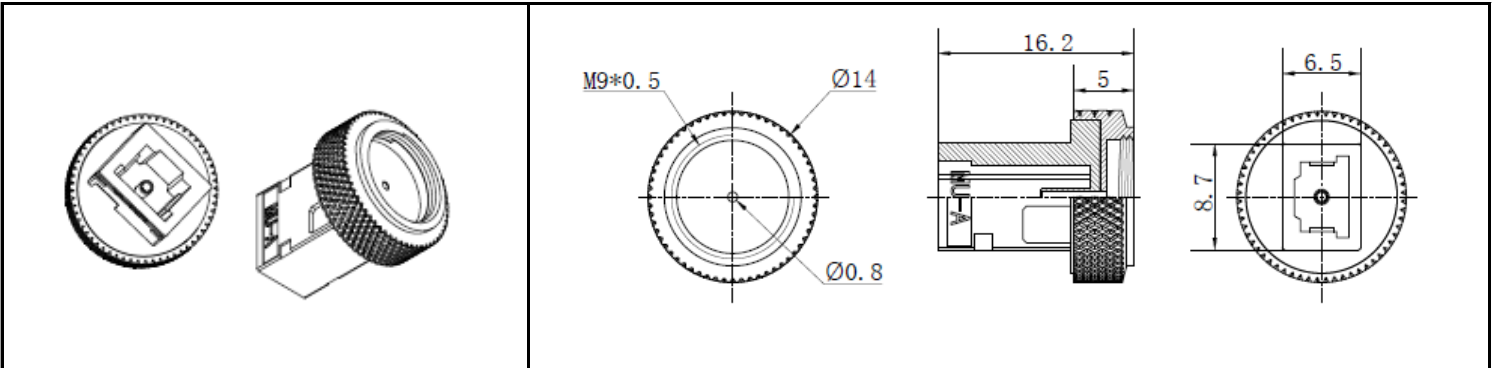
P/N: SYN-RMPD15-P-125U



P/N: SYN-RMPD15-P-SMA



P/N: SYN-RMPD15-P-MU



Semiconductor lasers and detectors are Static sensitive components are vulnerable to Electrostatic discharge (ESD) and surge over Current (EOS) damage! Please contact with Static sensitive

