



SYN-RMAD18 Changeable Fiber Adapter

The Changeable Fiber Optic Adapters are specifically designed for telecommunication applications. The SynMaster FC to FC, SC, ST, DIN & 2.5mm universal for Universal Physical Contact (UPC) adapters are designed for NTT-FC/SC/ST/DIN standards, provide true non-optical disconnect performance, and are fully compatible with existing FC/SC/ST/DIN hardware.

The SYN-RMAD18 Changeable adapters and all types in one body designed provide quickly to change different adapters to different type of optical end face. Additionally, the SYN-RMAD18 convenient for Technicians to change different type adapters and ensure uniform endface geometry, resulting in consistent optical performance.

These Changeable adapters combine a metal housing and a precision zirconia ceramic or a rugged phosphor nickel sleeve, standard or tight fit key configurations for UPC and also provided sleeve fix type (Type B) and sleeve



Applications - Networking

<input type="checkbox"/> Computer connections	<input type="checkbox"/> Routers
<input type="checkbox"/> Fibre Channel and Gigabit Ethernet	<input type="checkbox"/> Servers
<input type="checkbox"/> Networking equipment	<input type="checkbox"/> Storage

Applications - Telecommunications

<input type="checkbox"/> ATM testing	<input type="checkbox"/> Fibre Channel testing
<input type="checkbox"/> Active device termination	<input type="checkbox"/> Hubs
<input type="checkbox"/> CATV	<input type="checkbox"/> Instrumentation - test equipment
<input type="checkbox"/> Device terminations	<input type="checkbox"/> Optical switches
<input type="checkbox"/> FTTX connections	<input type="checkbox"/> Premise installations

Features

<input type="checkbox"/> Mating Sleeves Align Cores of Terminated Fiber Cables
<input type="checkbox"/> Mating Sleeves for Ø2.5 mm Ferrules
<input type="checkbox"/> Bulkhead Adapters for OEM or Custom Applications
<input type="checkbox"/> Protective Metal Dust Caps or Rubber Dust Cap Available for Select Adapters
<input type="checkbox"/> Telcordia, ANSI, TIA/EIA, NTT and JIS compliance

Specifications

Parameter	Values
Insertion Loss	<0.20dB (MM typical) & <0.15dB (SM typical)
Durability	<0.20 dB typical change, 1000 matings
Operating Temperature	-40 to + 85°C

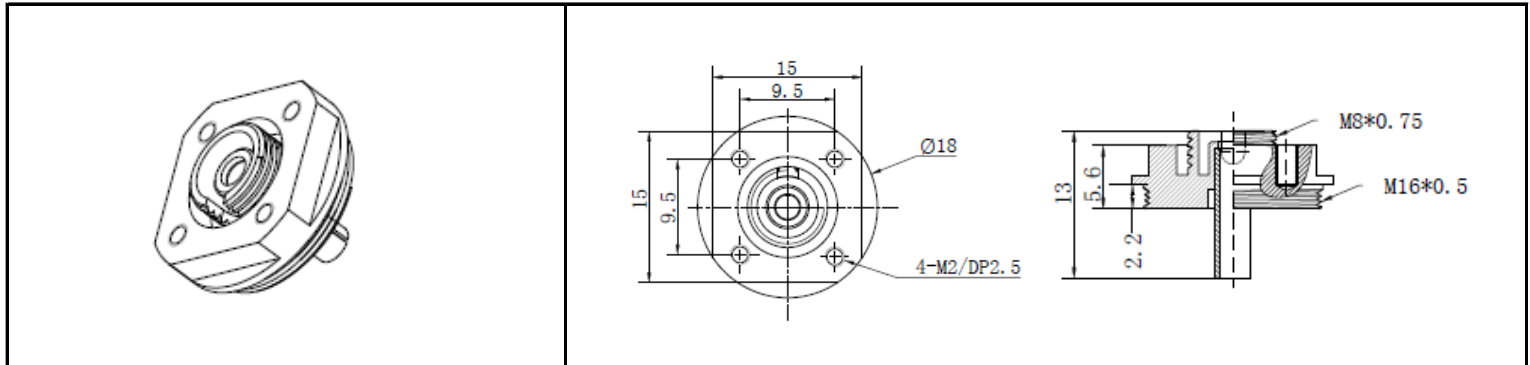


Order Information - A Type

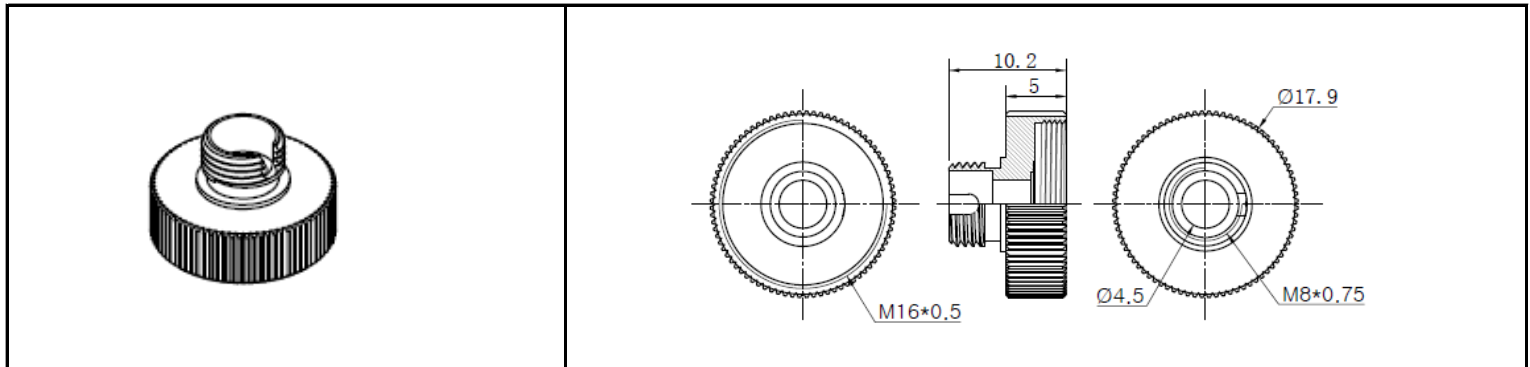
Band	Mode	Type	Item	P/N
SYN-	RMAD18-	A-	B	SYN-RMAD18-A-B
SYN-	RMAD18-	A-	FC	SYN-RMAD18-A-FC
			SC	SYN-RMAD18-A-SC
			ST	SYN-RMAD18-A-ST
			DIN	SYN-RMAD18-A-DIN
			250U	SYN-RMAD18-A-250U
			COM (FC & SC & ST)	SYN-RMAD18-A-COM
			ALL (All types)	SYN-RMAD18-A-ALL

Drawing & Dimension - A Type

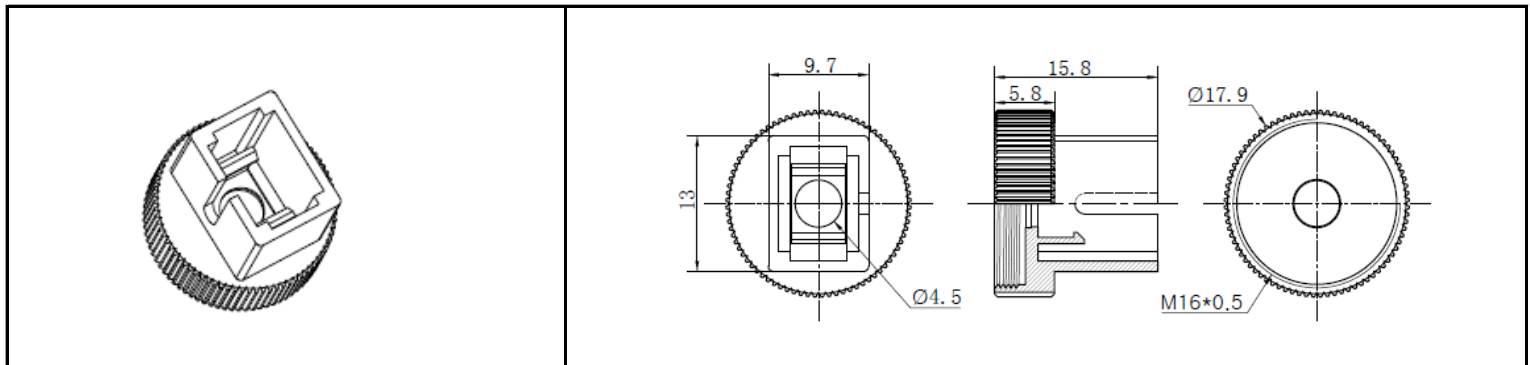
P/N : SYN-RMAD18-A-B



P/N : SYN-RMAD18-A-FC

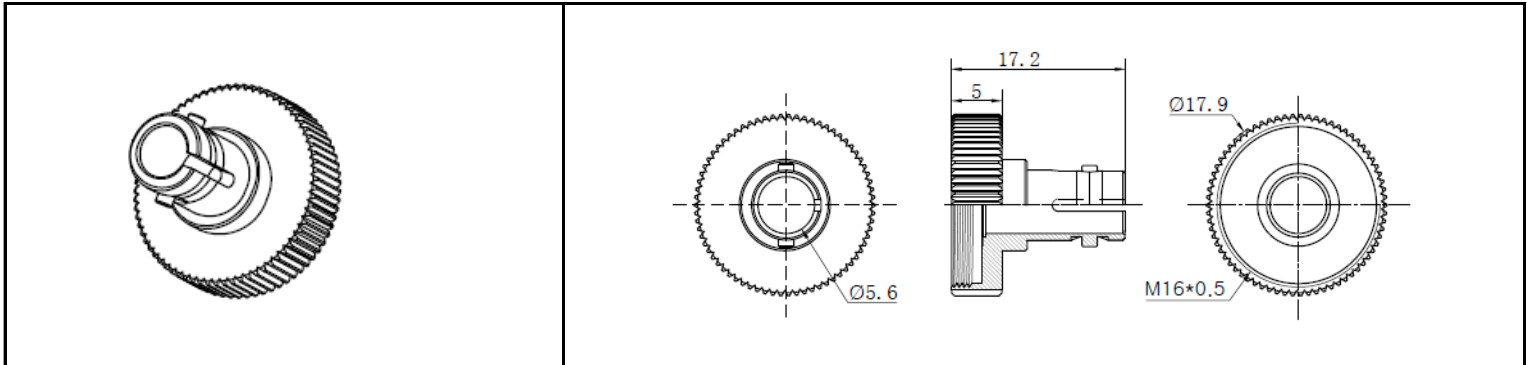


P/N : SYN-RMAD18-A-SC

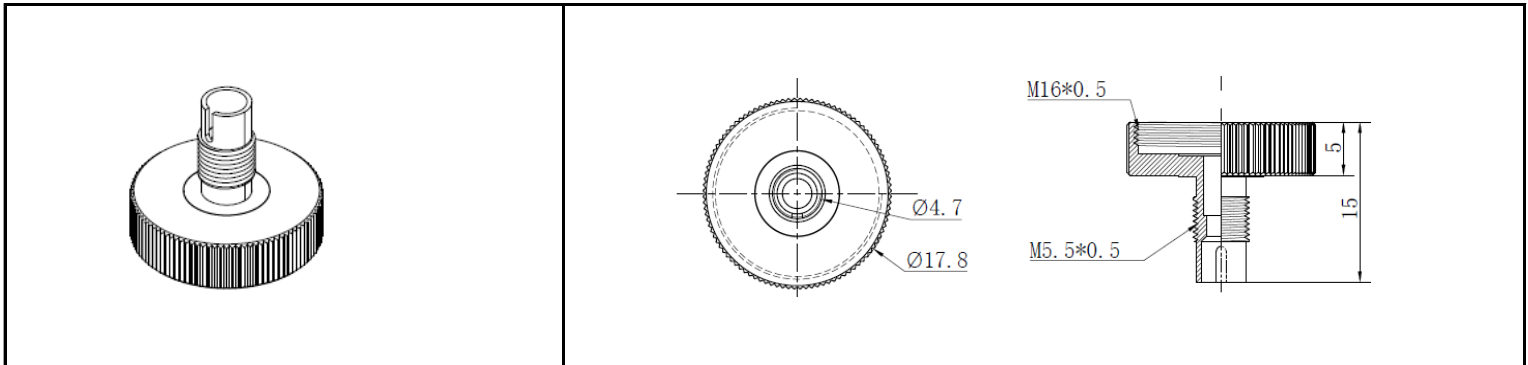




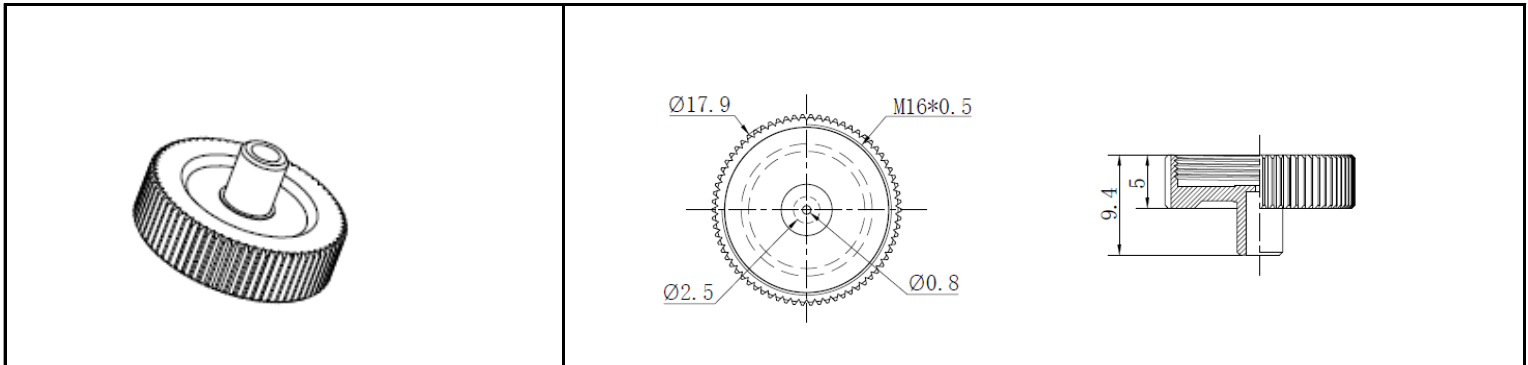
P/N : SYN-RMAD15-A-ST



P/N : SYN-RMAD15-A-DIN



P/N : SYN-RMAD15-A-250U



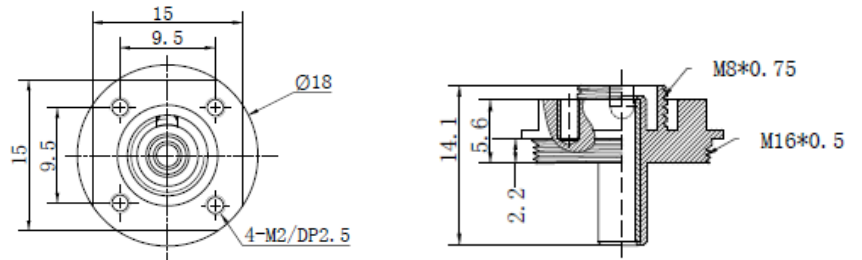
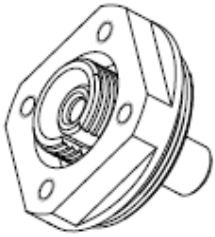
Order Information - B Type

Band	Mode	Type	Item	P/N
SYN-	RMAD18-	B-	B	SYN-RMAD18-B-B
SYN-	RMAD18-	B-	FC	SYN-RMAD18-B-FC
			SC	SYN-RMAD18-B-SC
			ST	SYN-RMAD18-B-ST
			DIN	SYN-RMAD18-B-DIN
			COM (FC & SC & ST)	SYN-RMAD18-A-COM
			ALL (All types)	SYN-RMAD18-A-ALL

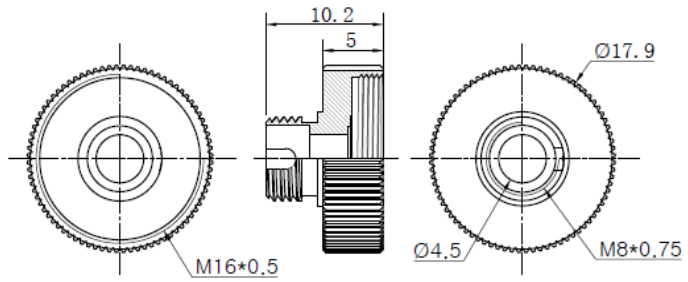
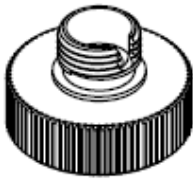


Drawing & Dimension - B Type

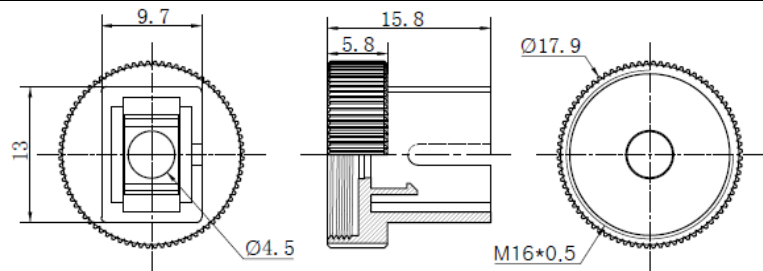
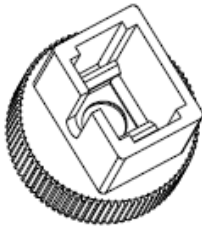
P/N : SYN-RMAD18-B-B



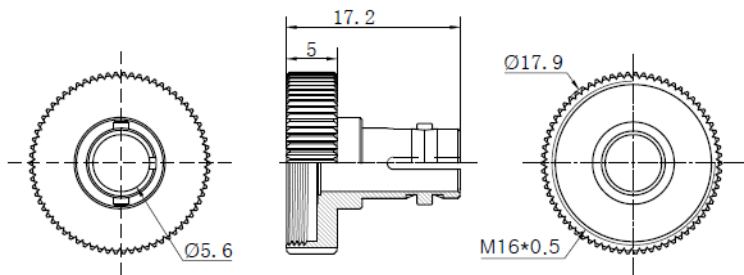
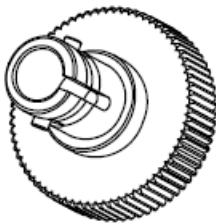
P/N : SYN-RMAD18-B-FC



P/N : SYN-RMAD18-B-SC



P/N : SYN-RMAD18-B-ST



P/N : SYN-RMAD18-B-DIN

