



SYN-RMAD16 Changeable Fiber Adapter

The Changeable Fiber Optic Adapters are specifically designed for telecommunication applications. The SynMaster FC to FC, SC, ST, LC and DIN for Angled Physical Contact (APC) adapters are designed for NTT-FC/SC/ST/LC/DIN standards, provide true non-optical disconnect performance, and are fully compatible with existing FC/SC/ST/LC/DIN hardware.

The SYN-RMAD16 Changeable adapters and all types in one body designed provide quickly to change different adapters to different type of optical end face. Additionally, the SYN-RMAD16 convenient for Technicians to change different type adapters and ensure uniform endface geometry, resulting in consistent optical performance.



These Changeable adapters combine a metal housing and a precision zirconia ceramic or a rugged phosphor nickel sleeve, standard or tight fit key configurations for Angled Physical Contact (APC)

Applications - Networking

⊙ Computer connections	⊙ Routers
⊙ Fibre Channel and Gigabit Ethernet	⊙ Servers
⊙ Networking equipment	⊙ Storage

Applications - Telecommunications

⊙ ATM testing	⊙ Fibre Channel testing
⊙ Active device termination	⊙ Hubs
⊙ CATV	⊙ Instrumentation - test equipment
⊙ Device terminations	⊙ Optical switches
⊙ FTTX connections	⊙ Premise installations

Features

⊙ Mating Sleeves Align Cores of Terminated Fiber Cables
⊙ Mating Sleeves for Ø2.5 mm Ferrules
⊙ Bulkhead Adapters for OEM or Custom Applications
⊙ Protective Metal Dust Caps or Rubber Dust Cap Available for Select Adapters
⊙ Telcordia, ANSI, TIA/EIA, NTT and JIS compliance

Specifications

Parameter	Values
Insertion Loss	<0.20dB (MM typical) & <0.15dB (SM typical)
Durability	<0.20 dB typical change, 1000 matings
Operating Temperature	-40 to + 85°C

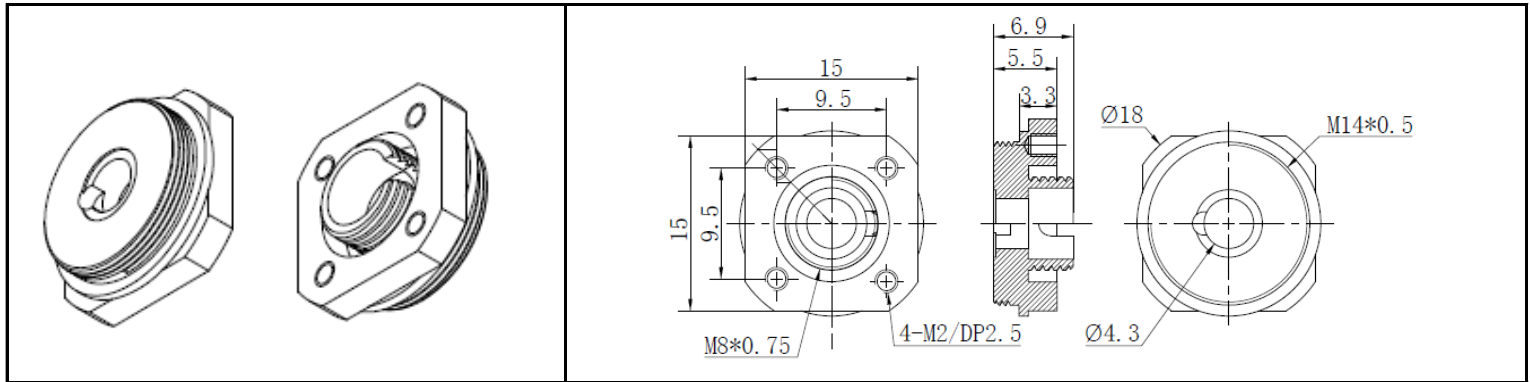


Order Information

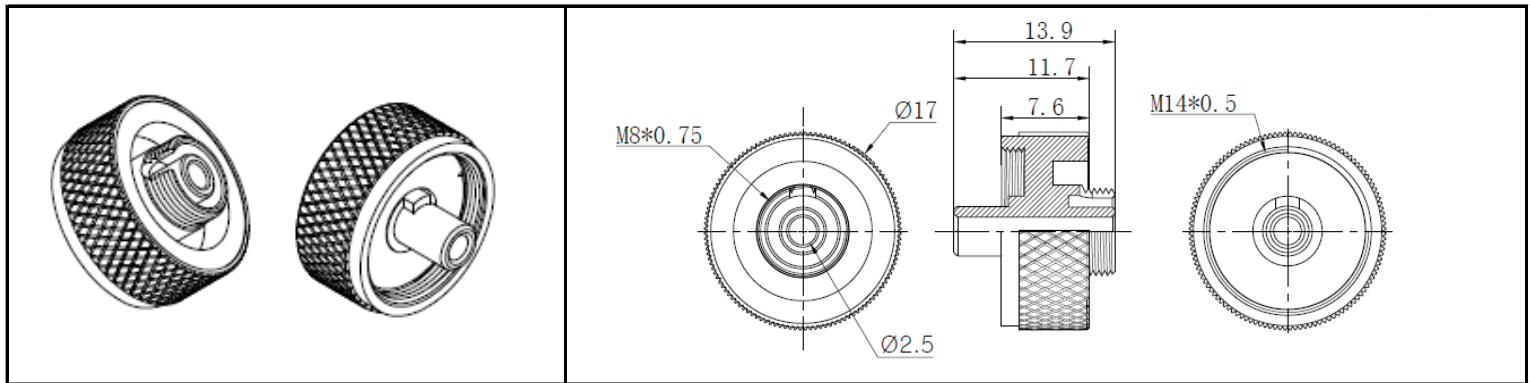
Band	Mode	Type	Item	P/N
SYN-	RMAD16-	K-	B	SYN-RMAD16-K-B
SYN-	RMAD16-	K-	FC	SYN-RMAD16-K-FC
			SC	SYN-RMAD16-K-SC
			ST	SYN-RMAD16-A-ST
			LC	SYN-RMAD16-K-LC
			DIN	SYN-RMAD16-K-DIN
			COM (FC & SC & ST)	SYN-RMAD16-K-COM
			ALL (All adapters)	SYN-RMAD16-K-ALL

Drawing & Dimension

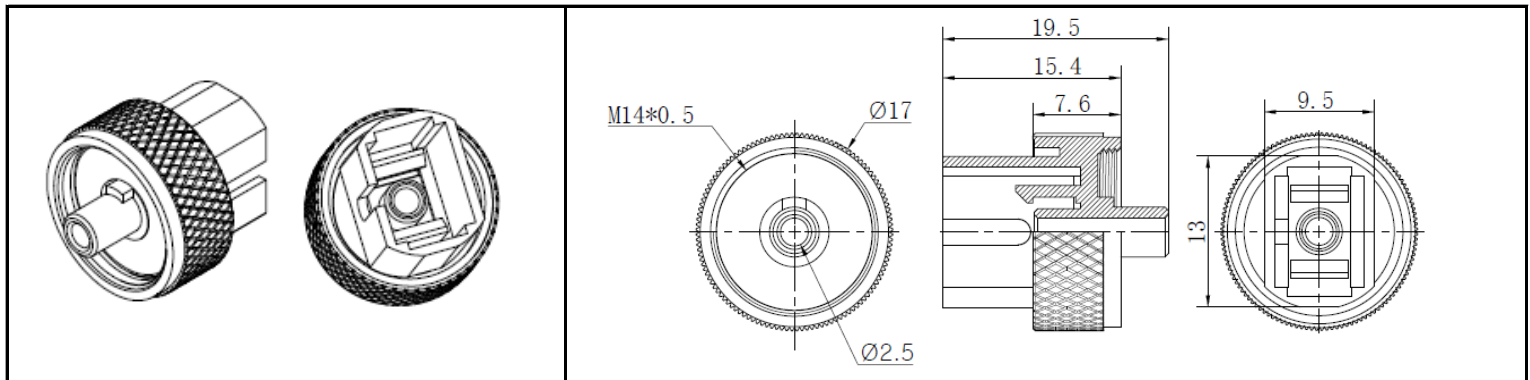
P/N : SYN-RMAD16-K-B



P/N : SYN-RMAD16-K-FC

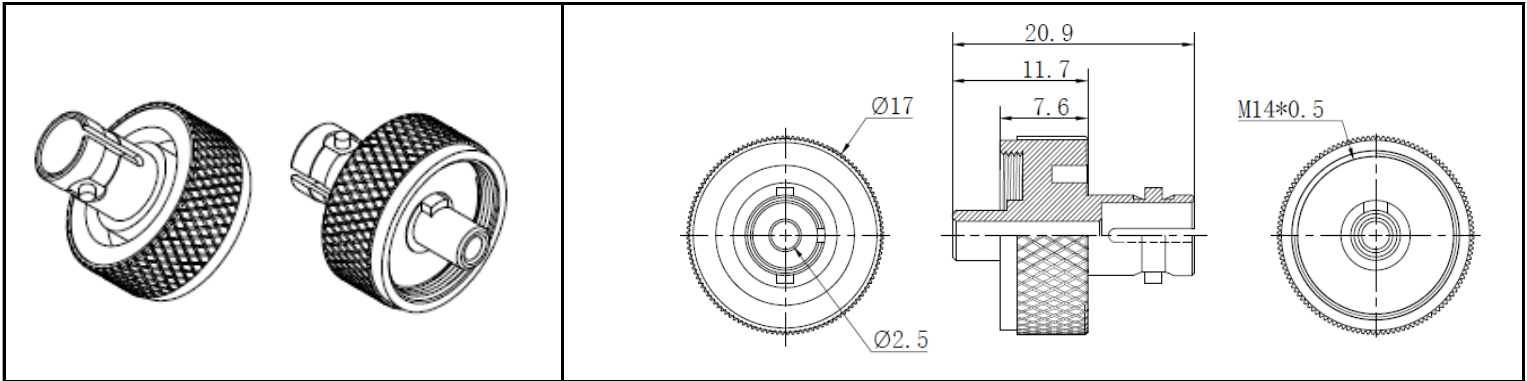


P/N : SYN-RMAD16-K-SC

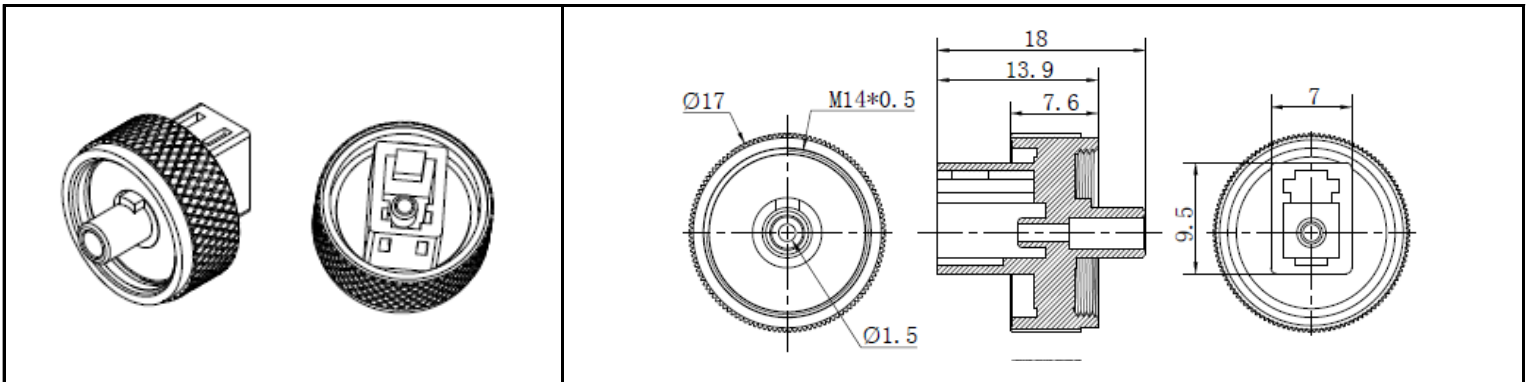




P/N : SYN-RMAD16-K-ST



P/N : SYN-RMAD16-K-LC



P/N : SYN-RMAD16-K-DIN

