



## SYN-PD300um PIN Photodiode Module

### Features

- ⊙ High responsivity, Low return loss
- ⊙ Low dark current, Low capacitance
- ⊙ High Accuracy

### Applications

- ⊙ Power Meter
- ⊙ Analog Optical receiver
- ⊙ Test Equipments



### Absolute Maximum Ratings

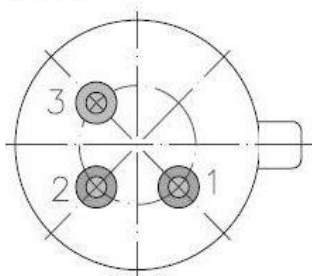
Parameter	Symbol	Ratings	Unit
Storage Temperature	Tstg	-40~+100	°C
Operating Temperature	Top	-40~+85	°C
Operating Voltage	Vop 5 V	5	V
PD Reverse Voltage	VR(PD)	25	V
Soldering Temperature	-	260	°C
Soldering Time	-	10	S

### Optica and Electrical Characteristics(Tc=25°C)

Parameter	Symbol	Min.	Typ.	Max.	Unit	Test Condition
Wavelength Range	$\lambda$	900	-	1700	nm	-
Measure Range	P ( 0dBm)	-70	-	6	dBm	Vop=5V
	P (10dBm)	-60	-	16	dBm	
	P (20dBm)	-50	-	26	dBm	
	P (30dBm)	-40	-	36	dBm	
Dark Current	Id	-	-	2	nA	
Responsivity	R		0.85	-	A/W	$\lambda=1310$ nm
Accuracy	-	-	-	±0.1	dB	-
Capacitance	Ct	-	-	25	Pf	-
Response Time	Tr	-	-	10	ns	-



Pin Assignment



Type A:  
**【1】** PD +  
**【2】** PD -  
**【3】** CASE

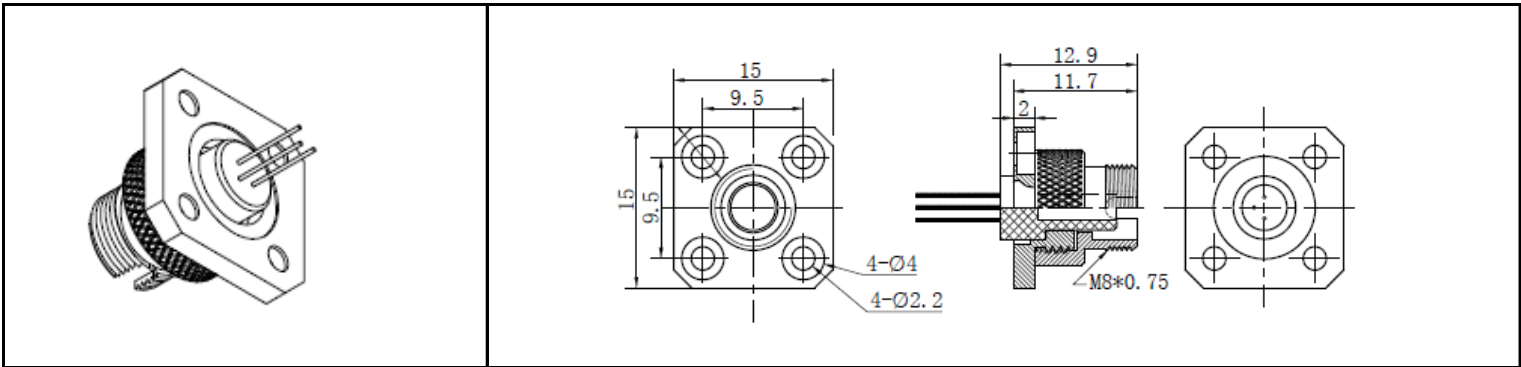
Order Information

Band	Mode	Base Type	Photosensitive Surface	Measure Range	P/N
SYN-	PD300um-	15/15-	FCUPC/RMFCUPC-	0dB	SYN-PD300um-FCUPC/RMFCUPC-15/15-0dB
				10dB	SYN-PD300um-FCUPC/RMFCUPC-15/15-10dB
				20dB	SYN-PD300um-FCUPC/RMFCUPC-15/15-20dB
				30dB	SYN-PD300um-FCUPC/RMFCUPC-15/15-30dB
SYN-	PD300um-	19/10R8-	FCUPC/RMFCUPC-	0dB	SYN-PD300um-FCUPC/RMFCUPC-19/10R8-0dB
				10dB	SYN-PD300um-FCUPC/RMFCUPC-19/10R8-10dB
				20dB	SYN-PD300um-FCUPC/RMFCUPC-19/10R8-20dB
				30dB	SYN-PD300um-FCUPC/RMFCUPC-19/10R8-30dB
SYN-	PD300um-	15/15-	FCUPC-	0dB	SYN-PD300um-FCUPC-15/15-0dB
				10dB	SYN-PD300um-FCUPC-15/15-10dB
				20dB	SYN-PD300um-FCUPC-15/15-20dB
				30dB	SYN-PD300um-FCUPC-15/15-30dB
SYN-	PD300um-	19/9R2-	FCUPC-	0dB	SYN-PD300um-FCUPC-19/9R2-0dB
				10dB	SYN-PD300um-FCUPC-19/9R2-10dB
				20dB	SYN-PD300um-FCUPC-19/9R2-20dB
				30dB	SYN-PD300um-FCUPC-19/9R2-30dB
SYN-	PD300um-	22/9R4-	SCUPC-	0dB	SYN-PD300um-SCUPC-22/9R4-0dB
				10dB	SYN-PD300um-SCUPC-22/9R4-10dB
				20dB	SYN-PD300um-SCUPC-22/9R4-20dB
				30dB	SYN-PD300um-SCUPC-22/9R4-30dB
SYN-	PD300um-	12R7/10-	STUPC-	0dB	SYN-PD300um-STUPC-12R7/10-0dB
				10dB	SYN-PD300um-STUPC-12R7/10-10dB
				20dB	SYN-PD300um-STUPC-12R7/10-20dB
				30dB	SYN-PD300um-STUPC-12R7/10-30dB

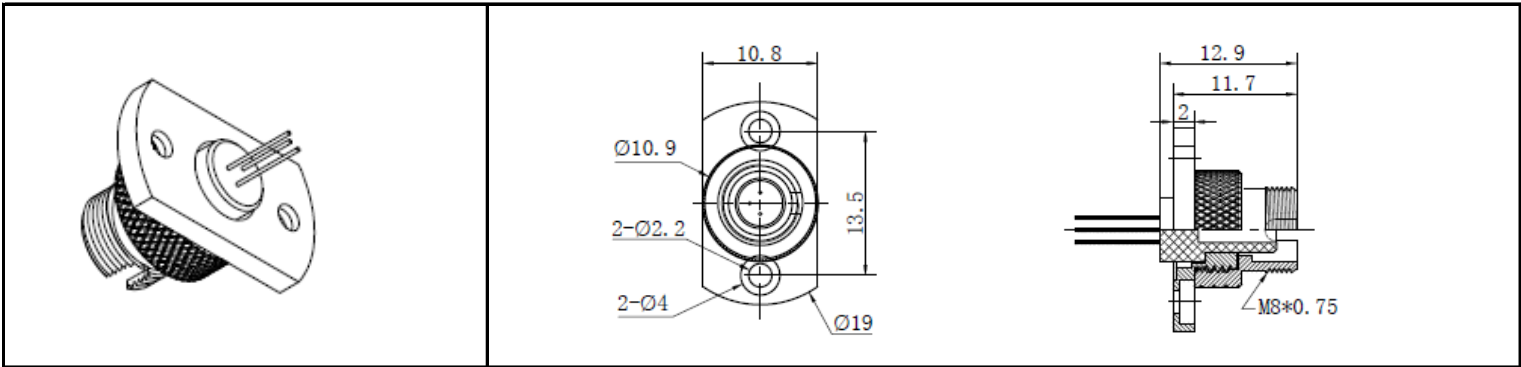


Drawing & Dimensions

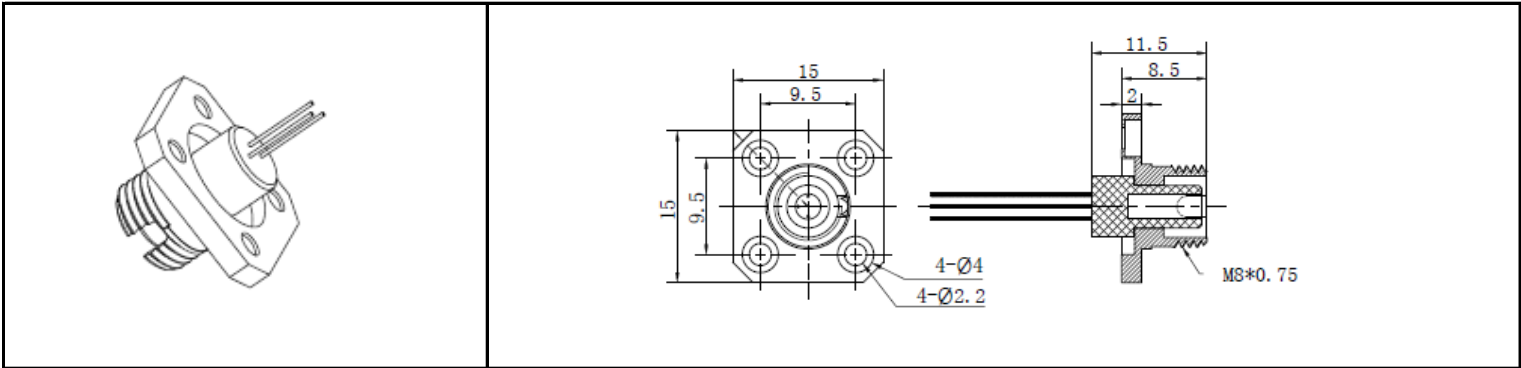
PN: SYN-PD300um-FCUPC/RMFCUPC-15/15-XXX



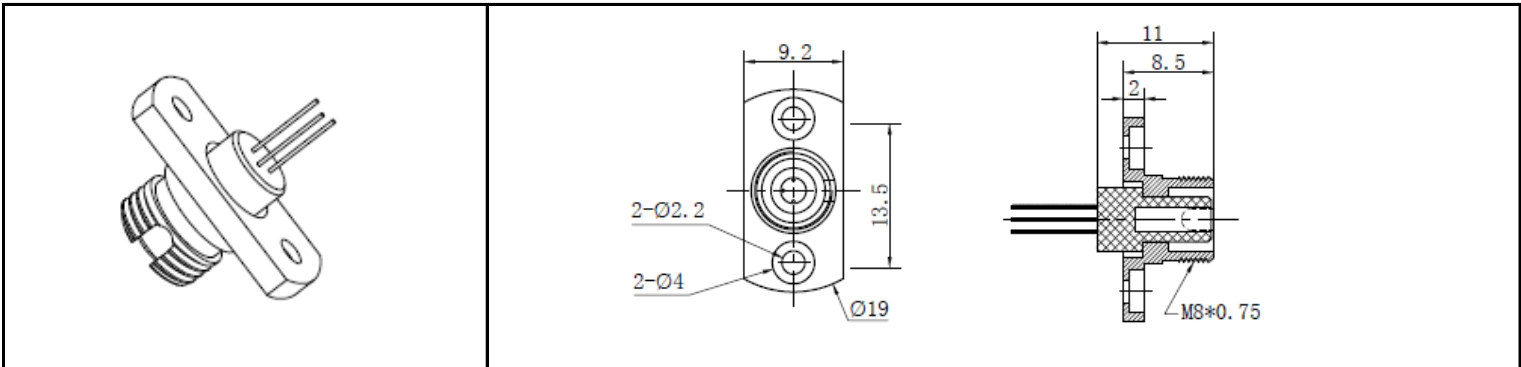
PN: SYN-PD300-FCUPC/RMFCUPC-19/10R8-XXX



PN: SYN-PD300-FCUPC-19/9R2-XXX

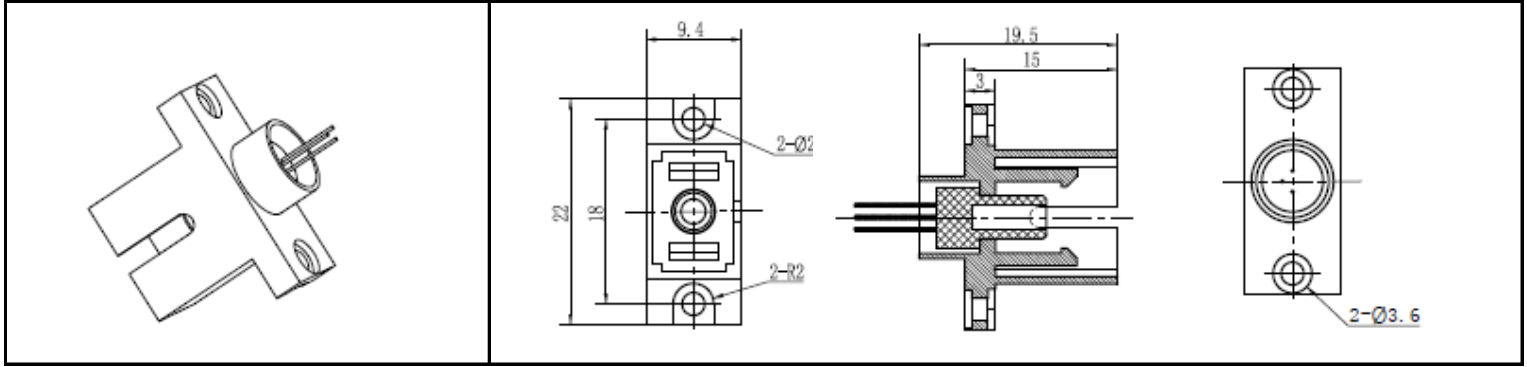


PN: SYN-PD300um-FCUPC-19/9R2-XXX

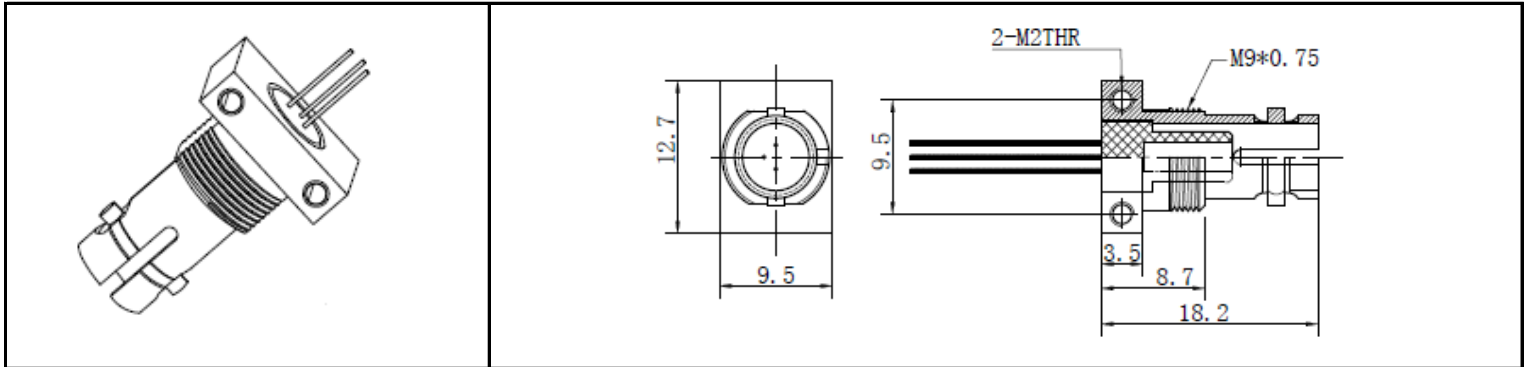




PN: SYN-PD300um-SCUPC-22/9R4-XXX



PN: SYN-PD300um-STUPC-12R7/10-XXX



Semiconductor lasers and detectors are Static sensitive components are vulnerable to Electrostatic discharge (ESD) and surge over Current (EOS) damage! Please contact with Static sensitive

